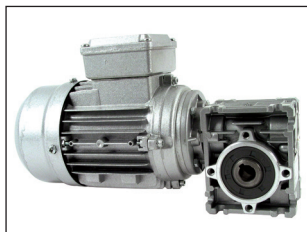




CHM30 -MOT

Torque up to 22Nm

- Three phase electric motor gearbox assembly
- Comprises 1 CHM30 gearbox and 1 CHT motor (see motor section)
- 4 pole motor
- B14 mounting flange
- Motor speed 1,400 rpm
- Material:
Gearbox housing: aluminium

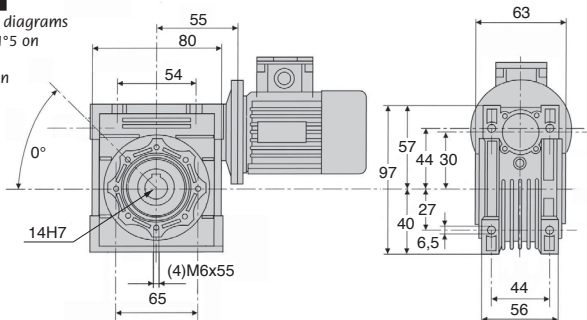


Accessories

- Output shaft **CHM30-X**, **CHM30-DX**
- Reaction arm **CHM30-BR**

Wiring

- See wiring diagrams N°3 and N°5 on technical information pages



DISCOUNTS

Qty	1+	2+	4+
Disc.	List	-15%	On request

Part number	Reduction ratio	Motor	Motor power (kW)	Speed under load (rpm)	Nominal Torque (Nm)	Service factor	Price each
CHM30-7-63C4	7,5:1	63C4	0,22	186,7	9	2,1	234,66 €
CHM30-10-63C4	10:1	63C4	0,22	140,0	11	1,6	234,66 €
CHM30-15-63C4	15:1	63C4	0,22	93,3	16	1,0	234,14 €
CHM30-20-63C4	20:1	63C4	0,22	70,0	20	0,9	234,14 €
CHM30-25-63B4	25:1	63B4	0,18	56,0	20	1,0	229,16 €
CHM30-30-63B4	30:1	63B4	0,18	46,7	22	0,9	229,16 €
CHM30-40-63B4	40:1	63B4	0,18	35,0	21	0,8	229,16 €
CHM30-50-63B4	50:1	63B4	0,18	28,0	19	0,8	229,16 €
CHM30-60-56B4	60:1	56B4	0,09	23,3	18	0,9	220,59 €
CHM30-80-56B4	80:1	56B4	0,09	17,5	13	0,9	220,59 €

Dimensions in mm

Our other products



SDCcs
Positioning sleeve for indexing pin, For pin Ø4 to Ø12



TSRTC
Stem support for caster, For swivel caster with central hole



MLY
Bow shackle with eye bolt, Steel



G1
Steel spur gear, Steel 20NCD2



CFS
Miniature cam follower, Miniature



RVM14
Manual worm and wheel gearbox, Worm/wheel



NT122
Spur gear coaxial gearbox, from 32 to 85 Nm - Inline



H02SS
Needle roller universal joint - Stainless steel, Heavy duty DIN808-7...



NCT
Square tube connector, Fixed angle



CHMBR
Reaction arm, CHM and CHMR gear reducers reaction arm



VHEH
Hexagonal headed screw with collar Hygienic Usit®,



CHA138
Screwed hinge with threaded insert, 138 degrees

Complementary products



CHMX_CHMDX
Shaft for worm and wheel reducer CHMR and CHM, CHMR and CHM gearbox...



CHMBR
Reaction arm, CHM and CHMR gear reducers reaction arm