

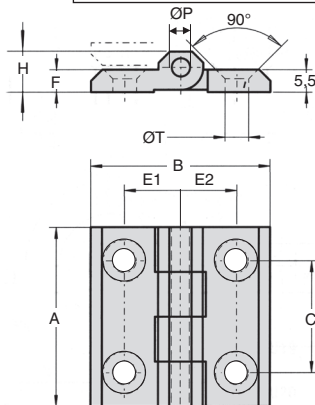
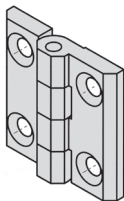
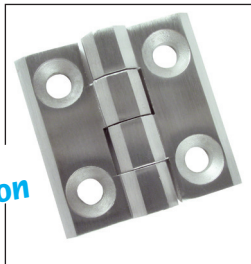
# Stainless steel face-mounted hinge ★★★ Stock

## CHAuss

## With countersunk holes

- **Universal hinge for nested door**
- 270° opening
- Fixing with M5, M6, M8 countersunk screws according to DIN7991
- Raw finish
- Molded hinge
- Materials:  
Stainless steel 316

stainless steel version



### DISCOUNTS

Qty	1+	6+	20+	50+
Disc. List	-5%	-10%	On request	

Part number	A	B	C	E1	E2	H	F	ØT	ØP	Stock*	Price each 1 to 5
CHA1056-U6SS	40	40	25	12,5	12,5	9	5	5,3	4	✓	29,50 €
CHA1056-U10SS	50	50	30	15	15	11,5	6	6,2	6	✓	32,01 €
CHA1056-U14SS	60	60	36	18	18	15	8	8,3	8	✓	32,21 €

\*Depending on availability - Dimensions in mm

## Our other products



SCA\_SS  
Stainless steel flat  
cable clamp, Stainless  
steel



PMC48\_M8  
Anti-vibration  
machine mount, Oval  
base plate



SSDB  
Stainless steel bevel  
gear, 2:1



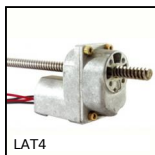
SCE\_SS  
Stainless steel U-  
shaped clamp,  
Stainless steel



AT5-10ECO  
AT type timing pulley,  
Economy range - AT5  
aluminium



BSB  
Ball screw bearing  
unit, Support



LAT4  
4A motorised linear  
actuator, 4 amperes



M0  
Worm and wheel set,  
Hardened steel



PX  
Optional output shaft  
stainless steel, P  
gearboxes double



GLT3-46A  
Telescopic drawer  
with damper,



CHAL3  
Piano hinge,  
Aluminium



HTD14M\_55  
HTD Heavy duty  
timing pulley, HTD14  
Cast

## Complementary products



CHAupa  
Front hinge, 270°



CHAu  
Screwed hinge, 270°