

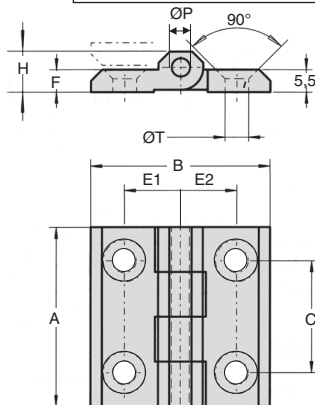
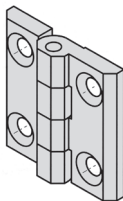
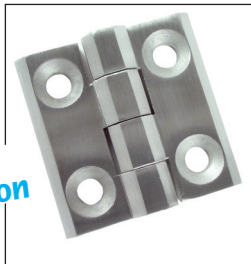
Stainless steel face-mounted hinge ★★★ Stock

CHAuss

With countersunk holes

- **Universal hinge for nested door**
- 270° opening
- Fixing with M5, M6, M8 countersunk screws according to DIN7991
- Raw finish
- Molded hinge
- Materials:
Stainless steel 316

stainless steel version



DISCOUNTS

Qty	1+	6+	20+	50+
Disc. List	-5%	-10%	On request	

Part number	A	B	C	E1	E2	H	F	ØT	ØP	Stock*	Price each 1 to 5
Square hinge											
CHA1056-U6SS	40	40	25	12,5	12,5	9	5	5,3	4	✓	29,50 €
CHA1056-U10SS	50	50	30	15	15	11,5	6	6,2	6	✓	32,01 €
CHA1056-U14SS	60	60	36	18	18	15	8	8,3	8	✓	32,21 €

*Depending on availability - Dimensions in mm

Our other products



GLP

Small 6 lobe threaded handle - male, Technopolymer - Steel



T5P_T10P

Connecting plate for T type timing belts, T10



PCLA_M

Technopolymer clamping lever - female, Plastic



BABPass

Hardened stainless steel ball pin with ring, With grip ring



GSI_A

Stainless steel adjustable gas spring, Stainless steel



BPVMss

Stainless steel miniature ball transfer unit, Miniature to screw



CMA

Eye bolt, Steel



SH0

Parallel axis helical gear, Machined plastic (delrin)



RFVcap

Stainless steel protective cover, Closed protective



PCS_PA6

Plastic sprocket, 12.7mm (DIN 08B-1)



GP

Spring loaded toggle latch, Standard



NSU

Universal 90° support clamp, Universal 90° support clamp

Complementary products



CHAupa

Front hinge, 270°



CHAu

Screwed hinge, 270°