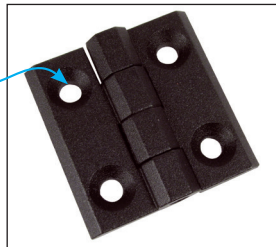


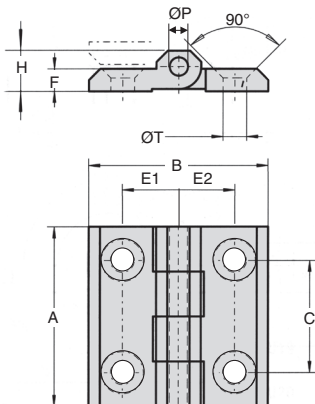
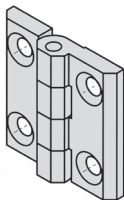
- Universal hinge for nested door
- 270° opening
- Fixing with M5, M6 or M8 countersunk screws according to DIN7991
- Molded hinge
- Materials:
  - Die cast zinc
  - Stainless steel pin

*With countersunk holes*



### Advantages

- Beautiful finish



### DISCOUNTS

Qty	1+	6+	20+	50+
Disc.	List	-5%	-10%	On request

Part number	A	B	C	E1	E2	H	F	ØT	ØP	Stock*	Price each 1 to 5
<b>Square hinge</b>											
CHA1056-U6	40	40	25	12,5	12,5	9	5	5,3	4	✓	12,32 €
CHA1056-U10	50	50	30	15	15	11,5	6	6,2	6	✓	12,83 €
CHA1056-U14	60	60	36	18	18	15	8	8,3	8	✓	16,03 €
<b>Rectangular hinge</b>											
CHA1056-U18	50	76	30	28	28	11	6	6,2	6	✓	30,73 €

\*Depending on availability - Dimensions in mm

## Our other products



ALIDRP240

24V DC power supply,  
10 A



VBFP

Small 6 lobe threaded  
handle - female,  
Duroplast - Stainless  
steel



T5M T10M

T type timing belt per  
metre, T5 Steel cored  
polyurethane



SLV

Vertical toggle clamp,  
Vertical Lever Clamp -  
stainless steel



YG2

HEAVY DUTY spur  
gear, Steel 35NCD6



GGB

Female wing knob,  
Fully threaded



BOXINS300

Box set of self tapping  
inserts, Boxed set -  
For hard materials



PF70

Worm and wheel gear  
reducer, up to 164  
Nm



TBE12

Economic mini-table  
with trapezoidal  
leadscrew, 2kg



PM2

Worm and wheel set,  
Bronze



KSTM

Igubal® pillow block  
bearing, Polymer



S\_2RS

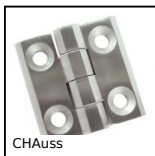
Deep groove ball  
bearing, Stainless  
steel

## Complementary products



CHAupa

Front hinge, 270°



CHAuss

Screwed hinge, 270°