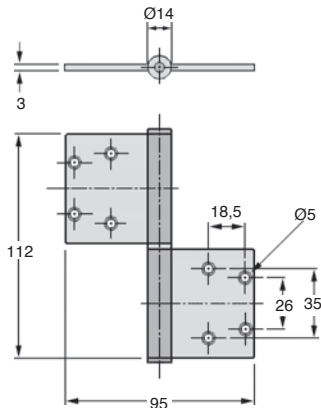


- Polished finish
- Fixed by 8 screws (not supplied)
- Material: stainless steel 304



DISCOUNTS

Qty	1+	6+	10+	25+
Disc.	List	-5%	-10%	On request

Part number	Description	Stock*	Price each 1 to 5
CHA-GC-14/SS	Centred hinged plates	✓	41,48 €

*Depending on availability - Dimensions in mm

Our other products



STRIP1000
Sealing brush strip,
1m length



MAN
Plain knob, Stainless
steel 304



GD01
Double universal joint,
Standard duty



PW_PWG3
Worm - precision
range, Stainless steel



PDD
Actuating plunger,
Non-rotating detector
shaft



BOX-NINA
Self locking nut -
DIN985, Box set of
steel nuts



RJ11_27
Sealing strip, Not
clipping



NTM
Nylon tipped set
screw, Nylon-point



NPTR_M
Adjustable cross
clamp, Adjustable



BABFCFO
Ball pin socket,
Mounting collar with a
oval flange



CHTRB
Single and dual
output gearboxes, Up
to 53,1 Nm



CLLCLLP
Clevis components,
long version, Steel -
long version

Complementary products



CHA_GC_9SS
Stainless steel garnet
hinge, To be welded



CHA_GC_9SS
Stainless steel garnet
hinge, To be welded



CHAGC-AL
Screw-in garnet
hinge, Screw-on