

Adjustable friction hinges

Stock

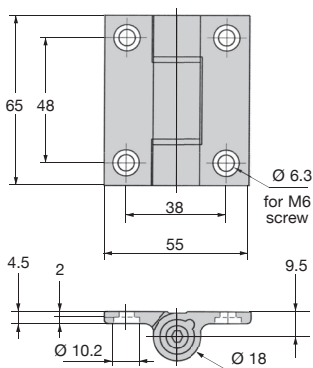
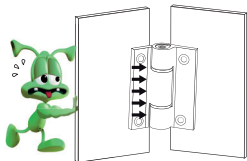
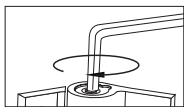
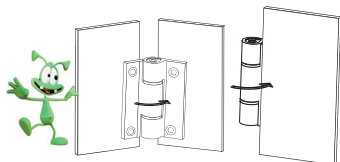
CHAFR

For opening and positioning a panel or door

- Screw-on front hinge
- Materials :
 - Aluminium
 - Sleeve : POM
 - Adjustable screw : Stainless steel A2
- Plain or black anodised finish
- Holding force : 0 to 5 Nm max
- Adjusts using 4mm Allen key
- Withstands 6000N
- Shear force : 5000N
- Working temp range -20 to 80°C

Advantages

- Adjustable holding force
- Aesthetic hinge



DISCOUNTS

Qty	1+	6+	20+	50+
Disc. List	-5%	-10%	On request	

Part number	Finish	Stock*	Price each 1 to 5
CHAFR6555/AI	Plain anodised	✓	25,59 €
CHAFR6555/AN	Black anodised	✓	25,59 €

*Depending on availability - Dimensions in mm

Our other products



CHM30

Worm and wheel gear reducer, up to 28 Nm



CLSLCP_SS

Clevis components, short version, Stainless steel - short range



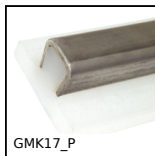
WJUM20

Drylin® W bearing block, Slide



EMS

Stainless steel knurled thumb nut, Knurled



GMK17_P

Flat Guide, Flat guide for conical profile



GMK17_R

Round guide, Round guide for conical profile



RMSA

Adjustable shock-absorber, Adjustable



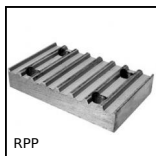
PRF1945

Standard aluminium profile, 19 x 45 mm



CFES

Eccentric cam follower, Eccentric



RPP

Connecting plate for RPP type timing belts, RPP



PDM_PDV

Detectable plastic palm grip, by metal



RAM30

Manual bevel gearbox, Bevel

Complementary products



CHAR5050_Z

Spring hinge, screwed



CHAC4040SS

Square hinge with riveted pin, drilled, Square with riveted pin, dri...



CHAFR-MINI

Miniature friction hinge, Friction



CHAFR-MINI

Miniature friction hinge, Friction