

Plastock Symmetrical decorative screwed hinge

Polyamide

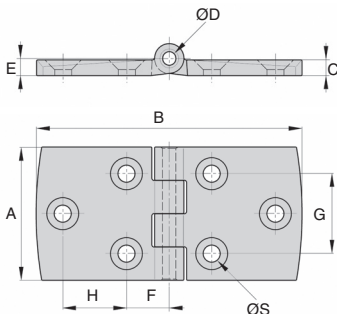
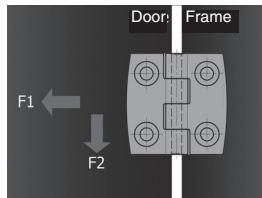
CHAE

Screwed hinge

- Material :
hinges glass fibre reinforced polyamide (30%)
sealed pin : stainless steel 316L
- Corrosion resistant
- Square and asymmetrical versions available

Advantages

- Aesthetic design
- Max opening angle 270°



Part number	Tensile strength F1	Shear strength F2	Screw torque (Nm)
CHAE4080/PA	2200	1900	4
CHAE40120/PA	2200	1900	4
CHAE50100/PA	3600	2100	8
CHAE60120/PA	5100	3100	8

DISCOUNTS

Qty	1+	6+	20+	50+
Disc.	List	-5%	-10%	On request

Part number	A	B	C	ØD	E	F	G	H	ØS	For screw	Stock*	Price each
											1 to 5	
CHAE4080/PA	40	80	5,2	4	5,7	13,5	25	19	5,3	M4	✓	8,16 €
CHAE40120/PA	40	120	5,2	4	5,7	14,5	25	38	5,3	M4	✓	10,09 €
CHAE50100/PA	50	100	5,9	5	6,4	16	30	24	6,4	M6	-	10,37 €
CHAE60120/PA	60	120	6,5	6	7	18	36	30	6,4	M6	✓	16,53 €

Dimensions in mm

Our other products



PF60
Worm and wheel gear reducer, up to 118 Nm



VTA
Vari-Tork® slip friction clutch, 0.53 to 1.32 Nm



ASH
Hoist ring for welding, for straight lifts - for welding



ACLEFS
Floor anchor for aluminium profile, Adjustable



RHT
High Temperature wheel, up to 200kg



FF50
Offset spur gear reducer, from 111 to 425 Nm



PR50
Stainless steel articulated foot Ø50, Ø 50



PSG25S
Spur gear - precision range, Stainless steel 316



PR40
Articulated foot Ø50, Ø 50



LRR-53
Spring loaded latch, Spring return latch -



ZHG6
Plastic spur gear, Machined plastic



PF40
Worm and wheel gear reducer, up to 18 Nm

Complementary products



CHAE6555
Decorative screwed hinge, Aluminium



CHAM52705S
Marine hinge for welding/screw mounting, Marine



CHAEpac
Square decorative screwed hinges, carbon fibre reinforced