

# Square hinge with riveted pin, drilled Eco

## CHAC Sheet metal with rolled knuckle

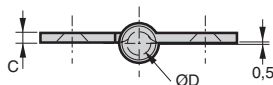
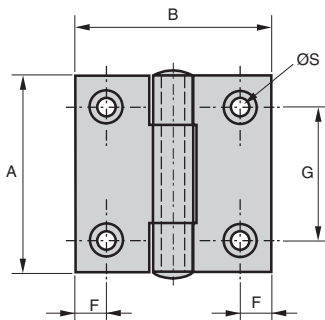
- Hinge for plug door
- Riveted pin, half swaged
- Material:  
Stainless steel 304
- Natural finish

stainless steel



### Advantages

- Economic hinge



### DISCOUNTS

Qty	1+	6+	20+	50+
Disc.	List	-5%	-10%	On request

Part number	A	B	C	ØD	F	G	ØS	Weight (g)	Stock*	Price each 1 to 5
CHAC4040/SS	40	40	2	4	8	24	3,5	34	✓	14,69 €
CHAC5050/SS	50	50	2	6	8	34	4,0	61	✓	17,45 €
CHAC6060/SS	60	60	2	6	8	40	4,0	82	✓	19,89 €

\*Depending on availability - Dimensions in mm



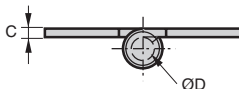
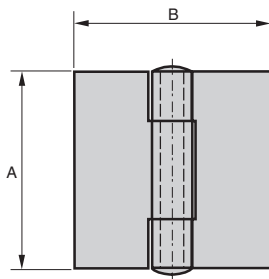
# Square hinge with riveted pin, **not drilled**

## Sheet metal with rolled knuckle **CHAC-NP**

- Hinge for plug door
- Riveted pin, leaves not offset
- Material:
  - CHAC-NP:** Steel hinge
  - CHAC-NP/SS:** Stainless steel 304
- Natural finish

### Advantages

- Economic hinge



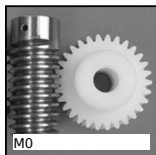
### DISCOUNTS

Qty	1+	6+	20+	50+
Disc.	List	-5%	-10%	On request

Part number	A	B	C	ØD	Weight (g)	Stock*	Price each
						1 to 5	
<b>Steel</b>							
CHAC4040-NP	40	40	2	4	34	✓	8,69 €
CHAC5050-NP	50	50	2	6	61	✓	10,68 €
CHAC6060-NP	60	60	2	6	82	✓	11,80 €
<b>Stainless steel</b>							
CHAC4040-NP/SS	40	40	2	4	34	✓	14,69 €
CHAC5050-NP/SS	50	50	2	6	61	✓	16,85 €
CHAC6060-NP/SS	60	60	2	6	82	✓	19,03 €

\*Depending on availability - Dimensions in mm

## Our other products



MO

Worm and wheel set,  
Machined plastic  
(delrin)



RDE-N

Sealing washer  
Hygienic Usit®,  
Stainless steel - Black  
EPDM



RFVfp

Stainless steel worm  
and wheel gearboxes,  
Mounting bracket



SHSS

Shoulder screw  
stainless steel 416,  
Pre-treated 416  
stainless steel



UCFL\_SS

Stainless steel flanged  
bearing, Stainless  
steel



SH3

Parallel axis helical  
gear, Steel 20NCD2



ACL

Joints for aluminium  
profiles, Variable  
angle corner



PSG125

Spur gear - precision  
range, Pre-hardened  
Steel 35NCD6



PSG15

Spur gear - precision  
range, Case hardened  
steel 20NCD2



CHTRB

Single and dual  
output gearboxes, Up  
to 53,1 Nm



HCV

V- rail guidance  
Simple Select®  
system, on rail



PRF\_BM

Base support plate for  
aluminium profile,  
Central base fixation

## Complementary products



CHAC4040NP

Square hinge with  
riveted pin, not  
drilled, Square with  
riveted pin,...



CHA60

Rectangular hinge,  
drilled or countersunk,  
Rectangular, drilled or  
c...