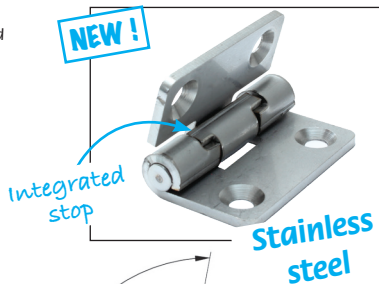


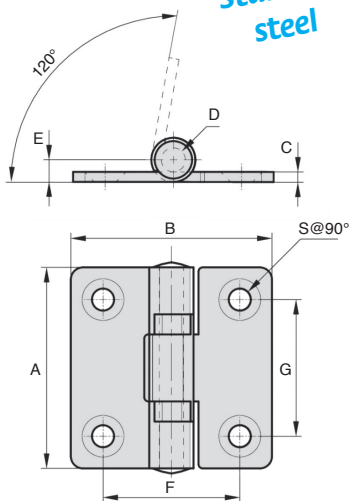
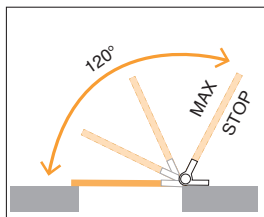
- Hinge for hatch opening
- Its integrated stop avoids the need to add an external stop or a safety bracket
- Materials :  
316 stainless steel

### Advantages

- Ideal for horizontal use. When it reaches its stop, the hatch is held open under its own weight



Typical application



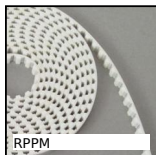
### DISCOUNT

Qty	1+	6+	20+	50+
Disc. List	-10%	-20%	On request	

Part Number	A	B	C	D	E	F	G	S	Weight (g)	Stock*	Price each 1 à 5
CHAB50-50/SS	50	50	2,5	6	5,5	34	34	5,5	70	-	20,58 €

\*Depending on availability - Dimensions in mm

## Our other products



RPPM  
RPP type belt per metre, RPP5 Steel cored polyurethane



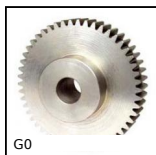
PRF\_GAL  
Roller for aluminium profile, Flat roller



PF30  
Worm and wheel gear reducer, up to 8.80 Nm



M1  
Worm and wheel set, Hardened steel



G0  
Steel spur gear, Steel 20NCD2



PRF\_BR  
Clamp for aluminium profile, Clamp for profile



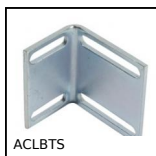
TCC  
Rigging screw (hook/hook), Steel



GAL 42  
Guide roller for plate chain return, Without ball bearing



YG2  
HEAVY DUTY spur gear, Steel 35NCD6



ACLBTS  
Closing system for aluminium profile, 90° bracket for spherical



GET-AL  
Jaw coupling, economy range, Aluminium



AT10courroie  
AT type timing belt, AT10 Steel cored polyurethane

## Complementary products