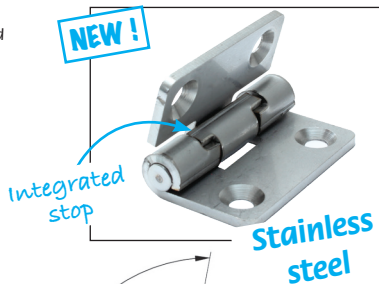


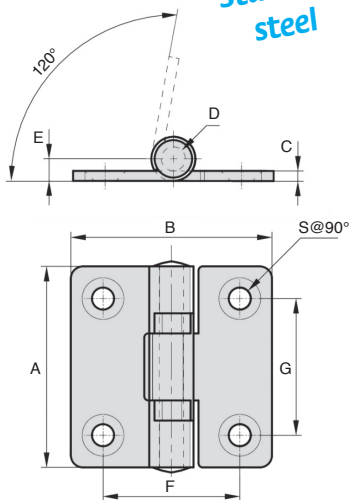
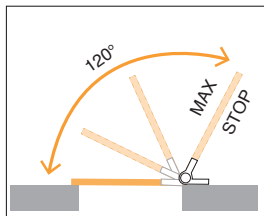
- Hinge for hatch opening
- Its integrated stop avoids the need to add an external stop or a safety bracket
- Materials :
316 stainless steel

Advantages

- Ideal for horizontal use. When it reaches its stop, the hatch is held open under its own weight



Typical application



DISCOUNT

Qty	1+	6+	20+	50+
Disc. List	-10%	-20%	On request	

Part Number	A	B	C	D	E	F	G	S	Weight (g)	Stock*	Price each 1 à 5
CHAB50-50/SS	50	50	2,5	6	5,5	34	34	5,5	70	-	20,58 €

*Depending on availability - Dimensions in mm

Our other products



SH2

Parallel axis helical gear, Machined plastic (delrin)



PR65C

Half-articulated foot Ø 65, Ø 65



PSEC

Security pull handle, Thermoplastic



BPLE

Ball transfer unit push fit, Light



BPHR

Ball transfer unit housed spring loaded, High



PX

Optional output shaft stainless steel, P gearboxes double sided outp...



gt64

Rotating bent lever, Common applications



BTE

Universal tension arm, For normal applications



MPE

Hexagonal spacer, Steel



SHWbr

Washer - DIN125, Brass



SPIT

Floor mounting levelling plate, With anchoring point



BOXKK

Boxed set of DIN6885A keys, Boxed set - Steel or stainless steel

Complementary products