

# Polyamide face-mounted hinge ★★★ **Stock**

## CHAUPA

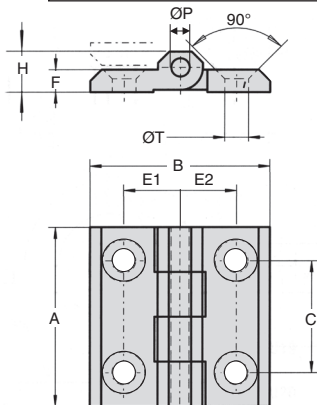
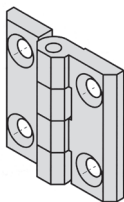
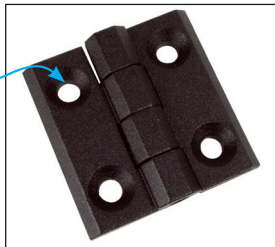
## Opening up to 270°

- **Universal hinge for nested door**
- 270° opening
- Fixing with M5 or M6 countersunk screws according to DIN7991
- Molded hinge
- Materials:
  - Black polyamide
  - Stainless steel pin

### Advantages

- Beautiful finish

*With countersunk holes*



### DISCOUNTS

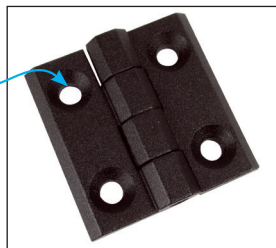
|       |      |     |      |            |
|-------|------|-----|------|------------|
| Qty   | 1+   | 6+  | 20+  | 50+        |
| Disc. | List | -5% | -10% | On request |

| Part number                         | A  | B  | C  | E1   | E2   | H    | F | ØT  | ØP | <b>Stock*</b> | Price each<br>1 to 5 |
|-------------------------------------|----|----|----|------|------|------|---|-----|----|---------------|----------------------|
| <b>Square hinge</b><br>CHA1056-U6PA | 40 | 40 | 25 | 12,5 | 12,5 | 9    | 5 | 5,3 | 4  | ✓             | 9,21 €               |
| CHA1056-U10PA                       | 50 | 50 | 30 | 15   | 15   | 11,5 | 6 | 6,2 | 6  | ✓             | 10,72 €              |

\*Depending on availability - Dimensions in mm

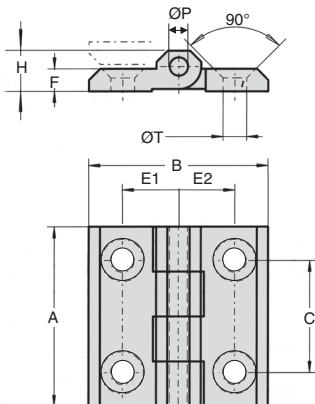
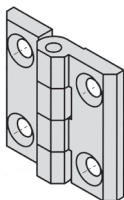
- **Universal hinge for nested door**
- 270° opening
- Fixing with M5, M6 or M8 countersunk screws according to DIN7991
- Molded hinge
- Materials:
  - Die cast zinc
  - Stainless steel pin

*With countersunk holes*



### Advantages

- Beautiful finish



### DISCOUNTS

|       |      |     |      |            |
|-------|------|-----|------|------------|
| Qty   | 1+   | 6+  | 20+  | 50+        |
| Disc. | List | -5% | -10% | On request |

| Part number              | A  | B  | C  | E1   | E2   | H    | F | ØT  | ØP | Stock* | Price each<br>1 to 5 |
|--------------------------|----|----|----|------|------|------|---|-----|----|--------|----------------------|
| <b>Square hinge</b>      |    |    |    |      |      |      |   |     |    |        |                      |
| CHA1056-U6               | 40 | 40 | 25 | 12,5 | 12,5 | 9    | 5 | 5,3 | 4  | ✓      | 12,32 €              |
| CHA1056-U10              | 50 | 50 | 30 | 15   | 15   | 11,5 | 6 | 6,2 | 6  | ✓      | 12,83 €              |
| CHA1056-U14              | 60 | 60 | 36 | 18   | 18   | 15   | 8 | 8,3 | 8  | ✓      | 16,03 €              |
| <b>Rectangular hinge</b> |    |    |    |      |      |      |   |     |    |        |                      |
| CHA1056-U18              | 50 | 76 | 30 | 28   | 28   | 11   | 6 | 6,2 | 6  | ✓      | 30,73 €              |

\*Depending on availability - Dimensions in mm

# Stainless steel face-mounted hinge ★★★ Stock

## CHAuss

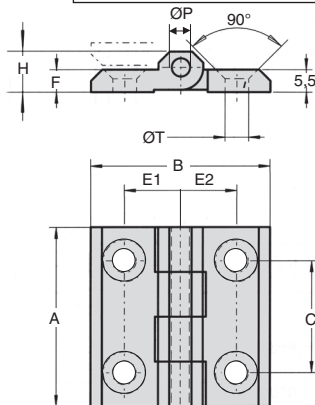
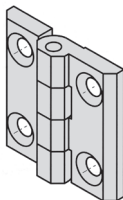
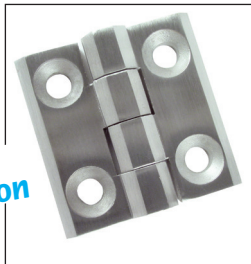
## With countersunk holes

- **Universal hinge for nested door**
- 270° opening
- Fixing with M5, M6, M8 countersunk screws according to DIN7991
- The visible surface is satin polished
- Molded hinge
- Materials:  
Stainless steel 316

### Advantages

- Beautiful finish

stainless steel version



### DISCOUNTS

|            |     |      |            |     |
|------------|-----|------|------------|-----|
| Qty        | 1+  | 6+   | 20+        | 50+ |
| Disc. List | -5% | -10% | On request |     |

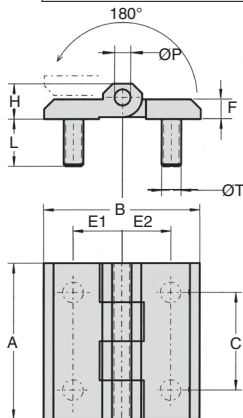
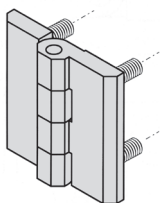
| Part number         | A  | B  | C  | E1   | E2   | H    | F | ØT  | ØP | Stock* | Price each<br>1 to 5 |
|---------------------|----|----|----|------|------|------|---|-----|----|--------|----------------------|
| <b>Square hinge</b> |    |    |    |      |      |      |   |     |    |        |                      |
| CHA1056-U6SS        | 40 | 40 | 25 | 12,5 | 12,5 | 9    | 5 | 5,3 | 4  | ✓      | 29,50 €              |
| CHA1056-U10SS       | 50 | 50 | 30 | 15   | 15   | 11,5 | 6 | 6,2 | 6  | ✓      | 32,01 €              |
| CHA1056-U14SS       | 60 | 60 | 36 | 18   | 18   | 15   | 8 | 8,3 | 8  | ✓      | 32,21 €              |

\*Depending on availability - Dimensions in mm

- **Universal hinge for nested door**
- 180° opening
- Nut fixing
- Molded hinge
- **Materials:**
  - Die cast zinc
  - Stainless steel molded anchors
  - Stainless steel pin

### Advantages

- Beautiful finish



### DISCOUNTS

|       |      |     |      |            |
|-------|------|-----|------|------------|
| Qty   | 1+   | 6+  | 20+  | 50+        |
| Disc. | List | -5% | -10% | On request |

| Part number                         | A  | B  | C  | E1   | E2   | H    | F | ØT | L  | ØP | Stock* | Price each<br>1 to 5 |
|-------------------------------------|----|----|----|------|------|------|---|----|----|----|--------|----------------------|
| <b>Square hinge</b>                 |    |    |    |      |      |      |   |    |    |    |        |                      |
| CHA1056-U4                          | 40 | 40 | 25 | 12,5 | 12,5 | 9    | 5 | M5 | 12 | 4  | ✓      | 17,27 €              |
| CHA1056-U8                          | 50 | 50 | 30 | 15   | 15   | 11,5 | 6 | M6 | 15 | 6  | ✓      | 17,15 €              |
| CHA1056-U12                         | 60 | 60 | 36 | 18   | 18   | 15   | 8 | M8 | 14 | 8  | -      | 22,70 €              |
| <b>Rectangular hinge</b>            |    |    |    |      |      |      |   |    |    |    |        |                      |
| CHA1056-U16                         | 50 | 76 | 30 | 28   | 28   | 11   | 6 | M6 | 12 | 6  | ✓      | 30,07 €              |
| <b>Asymmetric rectangular hinge</b> |    |    |    |      |      |      |   |    |    |    |        |                      |
| CHA1056-U20                         | 60 | 90 | 36 | 18   | 45   | 15   | 8 | M8 | 14 | 8  | ✓      | 32,24 €              |

\*Depending on availability - Dimensions in mm

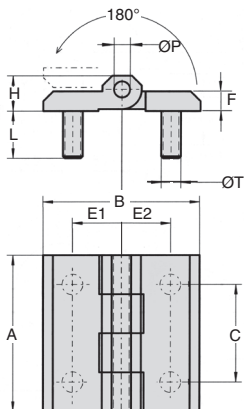
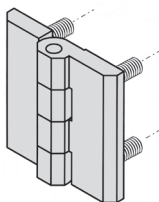
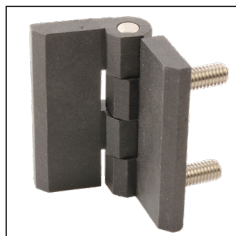
# Molded polyamide face-mounted hinge ★★★ Stock

## CHAUPA With anchors

- Universal hinge for plug door
- 180° opening
- Nut fixing
- Molded hinge
- **Materials:**
  - Black polyamide
  - Stainless steel molded anchors
  - Stainless steel pin

### Advantages

- Beautiful finish



### DISCOUNTS

|       |      |     |      |            |
|-------|------|-----|------|------------|
| Qty   | 1+   | 6+  | 20+  | 50+        |
| Disc. | List | -5% | -10% | On request |

| Part number         | A  | B  | C  | E1   | E2   | H    | F | ØT | ØP | Stock* | Price each<br>1 à 5 |
|---------------------|----|----|----|------|------|------|---|----|----|--------|---------------------|
| <b>Square hinge</b> |    |    |    |      |      |      |   |    |    |        |                     |
| CHA1056-U4PA        | 40 | 40 | 25 | 12,5 | 12,5 | 9    | 5 | M5 | 12 | -      | 13,91 €             |
| CHA1056-U8PA        | 50 | 50 | 30 | 15   | 15   | 11,5 | 6 | M6 | 15 | ✓      | 15,24 €             |

\*Depending on availability - Dimensions in mm

## Our other products



ACL

Joints for aluminium profiles, Variable angle corner



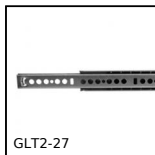
PGM52-M4

Pull handle, Brass



CABtool

Fitting cable tools, Crimping tools



GLT2-27

Telescopic drawer runners for groove mounting, Partial extension



AT10-25ECO

AT type timing pulley, Economy range - AT10 aluminium



BAN

Angular clamp, Universal



SH0

Parallel axis helical gear, Machined plastic (delrin)



PRES

Manual workbench press accessory for PRES-3HR end PRES-4HR, Tool hol...



CLA

Clamping lever Hygienic Usit® -



PTAF80-PAMF80

Articulated fixable foot with pressed



SCA\_SS

Stainless steel flat cable clamp, Stainless



BCA

Steel splined collar, Steel

Complementary products