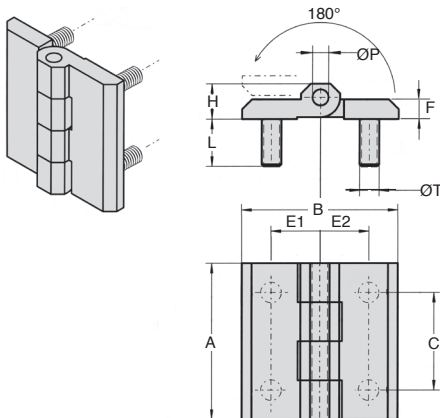


- Universal hinge for nested door
- 180° opening
- Nut fixing
- Molded hinge
- Materials:
  - Die cast zinc
  - Stainless steel molded anchors
  - Stainless steel pin

### Advantages

- Beautiful finish



### DISCOUNTS

Qty	1+	6+	20+	50+
Disc.	List	-5%	-10%	On request

Part number	A	B	C	E1	E2	H	F	ØT	L	ØP	Stock*	Price each 1 to 5
<b>Square hinge</b>												
CHA1056-U4	40	40	25	12,5	12,5	9	5	M5	12	4	✓	17,27 €
CHA1056-U8	50	50	30	15	15	11,5	6	M6	15	6	✓	17,15 €
CHA1056-U12	60	60	36	18	18	15	8	M8	14	8	-	22,70 €
<b>Rectangular hinge</b>												
CHA1056-U16	50	76	30	28	28	11	6	M6	12	6	✓	30,07 €
<b>Asymmetric rectangular hinge</b>												
CHA1056-U20	60	90	36	18	45	15	8	M8	14	8	✓	32,24 €

\*Depending on availability - Dimensions in mm

## Our other products



M1

Worm and wheel set,  
Bronze



NTMdl

Set screw delrin tip,  
Delrin-point



BABT

Hardened Stainless  
steel ball pin,  
Hardened stainless  
steel



CHM110

Worm and wheel gear  
reducer, up to 980  
Nm



DB

Steel bevel gear, 2:1



HW\_HT

Half-rail guide, Rail



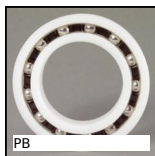
M1

Worm and wheel set,  
Machined plastic  
(delrin)



PR40

Articulated foot Ø40,  
Ø 40



PB

Plastic deep groove  
ball bearing, Plastic -  
balls material :



SSG2\_304L

Stainless steel spur  
gear, Stainless steel  
304L



SBS\_L

Chain link, Stainless  
steel



ACLEPP

Right angled bracket  
for aluminium profile,  
4 holes

Complementary products