

Stainless steel/self-lubricating bronze contact CFFss

- Female threaded rod end conforming to DIN ISO 12240-4

K series

- Materials:

- Sphere: Stainless steel 420, ground and polished
- Insert: self lubricating bronze
- Housing: Stainless steel 304

Economy range

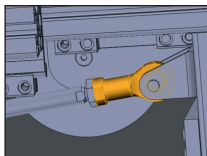


Advantages

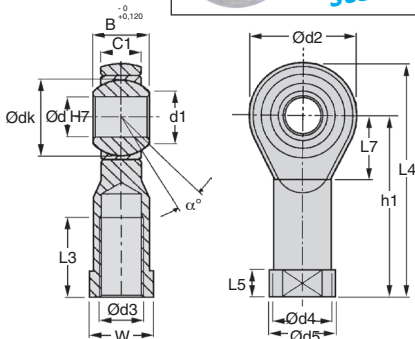
- Self-lubricating
- No maintenance required
- Bearing surface resistant to wear
- Low friction

Application

- Oscillating movements



Typical application



DISCOUNTS

Qty	1+	6+	10+
Disc.	List	-15%	On request

Part number	Ød	Ød3	B	C1	Ød1	Ød2	Ød4	Ød5	Ødk	h1	L3	L4	L5	L7	W
CFF.00.06/SS	6	M60x1	9	6,75	8,90	20	10,00	13	12,70	30	12	40	5,00	11	11
CFF.00.08/SS	8	M80x1,25	12	09,00	10,40	24	12,50	16	15,90	36	16	048	05,00	13	14
CFF.00.10/SS	10	M10x1,5	14	10,50	12,90	28	15,00	19	19,10	43	20	057	06,50	15	17
CFF.00.12/SS	12	M12x1,75	16	12,00	15,40	32	17,50	22	22,22	50	22	066	06,50	17	19
CFF.00.16/SS	16	M16x2	21	15,00	19,30	42	22,00	27	28,60	64	28	085	08,00	23	22
CFF.00.20/SS	20	M20x2,5	25	18,00	24,30	50	27,50	34	34,90	77	33	102	10,00	27	30

Part number RH threading	Radial static load F_s (daN)	Axial holding load of the ball (daN)	Movement angle α°	Weight (g)	Stock*	Price each 1 to 5
CFF.00.06/RH/SS	700	120	13	25	✓	56,14 €
CFF.00.08/RH/SS	1 200	170	14	46	✓	69,56 €
CFF.00.10/RH/SS	1 400	200	13	75	✓	85,84 €
CFF.00.12/RH/SS	1 900	270	13	112	✓	100,98 €
CFF.00.16/RH/SS	4 800	550	15	222	-	187,42 €
CFF.00.20/RH/SS	5 200	600	14	406	-	212,41 €

*Depending on availability - Dimensions in mm