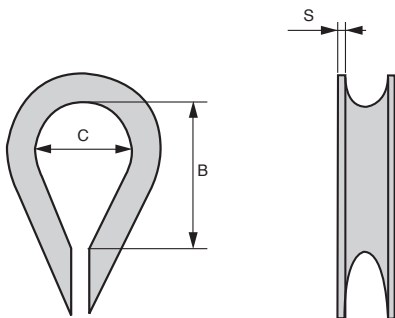


- Fitting elements
- Wire thimble for use with CAB/SS stainless steel cable
- Materiel:  
Stainless steel AISI 316

**Info.**

- Sold by the packet

**DISCOUNTS**

Qty	1+	30+	60+	90+	120+	150+
Disc.	List	-5%	-10%	-15%	-20%	On request

Part number	Cable Ø	C	B	S	Weight (g)	Stock*	Price each 1 to 29
CCL-2/SS	2	9	15	1	2,00	✓	0,49 €
CCL-3/SS	3	10	17	1	2,40	✓	0,62 €
CCL-4/SS	4	11	18	1	3,80	✓	0,76 €
CCL-5/SS	5	12	22	1	4,80	✓	1,19 €
CCL-6/SS	6	13	24	1	5,00	✓	1,27 €

\*Depending on availability - Dimensions in mm

## Our other products



WTM

Tightening washer -  
DIN6340, Steel



BABreglable

Adjustable ball pin  
hardened stainless  
steel, adjustable



CHAuss

Screwed hinge, 270°



SUPccss

Self-centering  
clamping hub  
stainless steel, With  
lock nut



NPTR

Adjustable cross  
clamp, Adjustable



CHA\_GC\_9SS

Stainless steel garnet  
hinge, To be welded



BMM

Knurled knob - male,  
Knurled



VDSQ

Sliding lock  
adjustment system,  
Sliding lock for square  
profile



PITAss

Locking bolt, with T  
handle



TCL-ECL

Adjusting nut, Fine  
thread



BTE

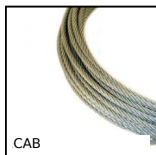
Universal tension arm,  
For standard



CFES

Eccentric cam  
follower, Eccentric

## Complementary products



CAB

Stainless steel cable,  
Stainless steel



SCA\_SS

Stainless steel flat  
cable clamp, Stainless  
steel



SCA\_SS

Stainless steel flat  
cable clamp, Stainless  
steel



CABPVC

PVC covered  
galvanised steel  
cable, Galvanised  
steel with

