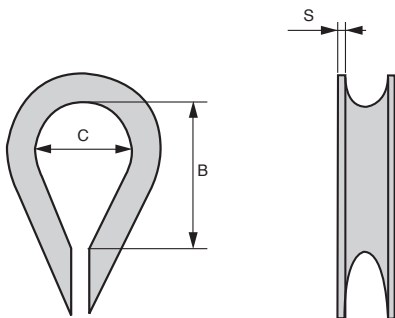


- Fitting elements
- Wire thimble for use with CAB/SS stainless steel cable
- Materiel:  
Stainless steel AISI 316

**Info.**

- Sold by the packet

**DISCOUNTS**

Qty	1+	30+	60+	90+	120+	150+
Disc.	List	-5%	-10%	-15%	-20%	On request

Part number	Cable		B	S	Weight (g)	Stock*	Price each 1 to 29
	Ø	C					
CCL-2/SS	2	9	15	1	2,00	✓	0,49 €
CCL-3/SS	3	10	17	1	2,40	✓	0,62 €
CCL-4/SS	4	11	18	1	3,80	✓	0,76 €
CCL-5/SS	5	12	22	1	4,80	✓	1,19 €
CCL-6/SS	6	13	24	1	5,00	✓	1,27 €

\*Depending on availability - Dimensions in mm

## Our other products



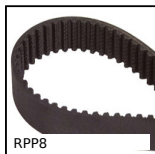
SBF

Sealed flange bearing unit for Food Industry, cover



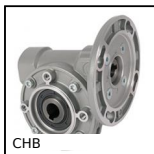
PTGT

Tensioner pulley, For V belts



RPP8

RPP heavy duty timing belt, RPP8



CHB

Worm and wheel gear reducer, up to 41 Nm



DOG316

Motor-gearbox 12V and 24V DC, from 1.5 to 2 Nm



CHT

Asynchronous AC motor 0.12 to 0.22kW, 0.12 to 0.22kW



LVT

Miniature motorised actuator 2A, 2 ampers



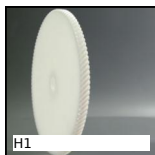
DKONSL

Silicone conical elasto buffer, Male mounting



D-PAR\_SS

Stainless steel elasto mount, stainless steel



H1

Crossed helical gear crossed axis at 90°



NKIB

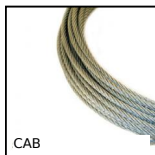
Combined bearing with inner ring, Axial



PR880

Idler sprocket for slat top chain, Range 880

## Complementary products



CAB

Stainless steel cable, Stainless steel



SCA\_SS

Stainless steel flat cable clamp, Stainless steel



SCA\_SS

Stainless steel flat cable clamp, Stainless steel



CABPVC

PVC covered galvanised steel cable, Galvanised steel with

