

# Adjustable screw stop

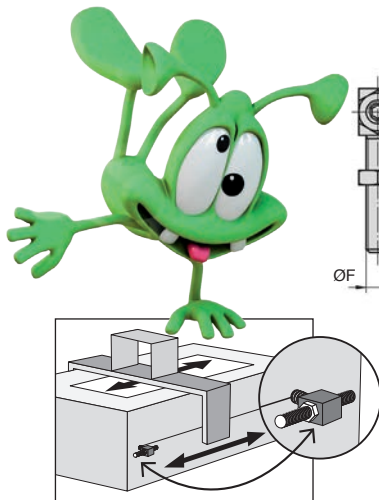
Steel

BVR

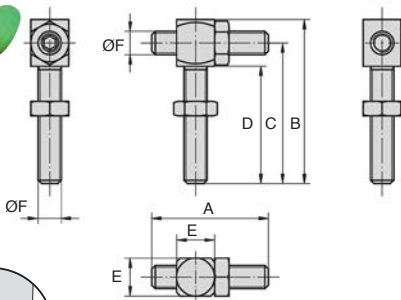
- Allows to easily create a stop that is adjustable over a 50mm range
- Material:  
Burnished treated steel

## Application

- Can be adjusted over the full range
- Final position is locked using a counter-nut.



Travel stop



## DISCOUNTS

Qty	1+	6+	15+	20+
Disc.	List	-5%	-10%	On request

Part number	A	B	C	D	E	ØF	Price each 1 to 5
BVR6-30-30	30	44	37	30	10	M6	19,88 €
BVR8-40-40	40	56	48	40	13	M8	25,81 €
BVR10-50-50	50	70	60	50	17	M10	30,28 €
BVR12-60-60	60	84	72	60	19	M12	39,24 €
BVR16-80-80	80	112	96	80	24	M16	60,02 €

Dimensions in mm

**0 825 88 6000**  
Service 0,15 € / min  
+ prix appel

Fax

cial2@hpceurope.com

**HPC**

SUPPLEMENT 2019

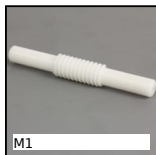
199

## Our other products



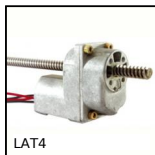
PRF-SRA

Lock for aluminium profile, Lock



M1

Worm and wheel set, Machined plastic (delrin)



LAT4

4A motorised linear actuator, 4 amperes



TFR

Rigid manual tensioner, Fixed



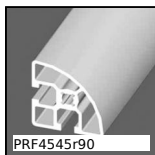
VRC2

Retaining clamp, dual sided, Dual sided



PRF4590\_E

Bracket for aluminium profile, PRF4590



PRF4545r90

Standard aluminium profile, 45 x 45 mm - R90°



ZBconique

Machined plastic bevel gear, 1:1



SVT15

Screwjack with travelling screw, with



VBFP

Small 6 lobe threaded handle - female,



PTA150

Articulated levelling foot, pressed base



PSPD40

Flexible tube handle, Black PVC

Complementary products