

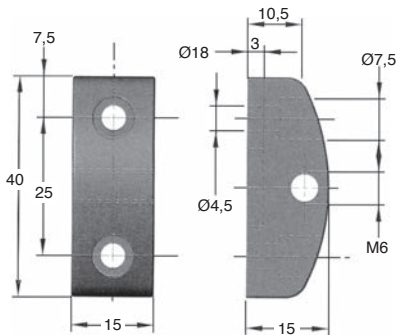
- Element for square tube structure
- Material: reinforced polyamide

Info.

- Not sold individually, please contact us for details

Accessories

- Magnetic lock **SER**
- Hinge **CHA**
- Doorstop **BLOC**



Typical application

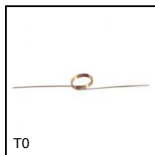
DISCOUNTS

Qty	1+	50+	100+
Disc.	List	-5%	On request

Part number	Weight (kg)	Stock*	Price each 1 to 49
BUT40-15	0,01	✓	6,87 €

*Depending on availability - Dimensions in mm

Our other products



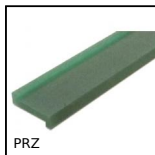
T0

Torsion spring,
Stainless steel



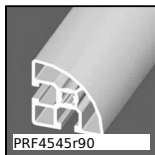
CHAC4040NP

Square hinge with
riveted pin, not
drilled, Square with
riveted pin,...



PRZ

Wear strip for slat top
chain, Z profile to be
clipped



PRF4545r90

Standard aluminium
profile, 45 x 45 mm -
R90°



MSP19

Masterplate®
glueable insert
Ø19/Ø20, Cylindrical
with nut



PDD

Actuating plunger,
Non-rotating detector
shaft



PTA100

Articulated levelling
foot, pressed base
Ø100, Ø 100



NTMbr

Set screw brass tip,
Brass-point



HLU

Spoked handwheel
without handle,
Aluminium



PO

Pull handle - Multi-
sector, Tapped
recessed insert



EKN

Bellows coupling
Gerwah®, from 0.5 to
12Nm



CMM

Male rod ends DIN
ISO12240-4, Steel /
bronze

Complementary products



BRI

Panel holder, Panel
holder



PSP

Support profile, Panel
support