

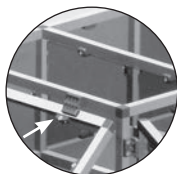
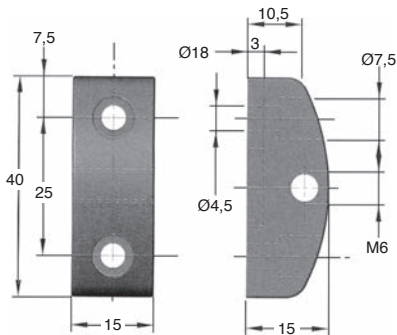
- Element for square tube structure
- Material: reinforced polyamide

Info.

- Not sold individually, please contact us for details

Accessories

- Magnetic lock **SER**
- Hinge **CHA**
- Doorstop **BLOC**



Typical application

DISCOUNTS

Qty	1+	50+	100+
Disc.	List	-5%	On request

Part number	Weight (kg)	Stock*	Price each 1 to 49
BUT40-15	0,01	✓	6,87 €

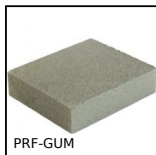
*Depending on availability - Dimensions in mm

Our other products



SH2

Parallel axis helical gear, Steel 20NCD2



PRF-GUM

Aluminium profile anodising polisher, Polishing block



NCT_AT

Variable angle connector, Variable angle



HCSS

Set screw with hexagonal socket, Cup point



GE_ES

Spherical bushing, Steel / steel



PAP

Handle for aluminium profile, Ergonomic handle



BABS

630 Stainless steel compact ball pin, Hardened stainless steel



PLA

Flat magnet, Flat magnet with thread



TBEBASE10

Economic mini-table with trapezoidal



PLC_PLT

Magnetic stud with threaded hole, With



PSG125S

Spur gear - precision range, Stainless steel



PSPD40

Flexible tube handle, Black PVC

Complementary products



BRI

Panel holder, Panel holder



PSP

Support profile, Panel support