

Universal tension arm

Stock

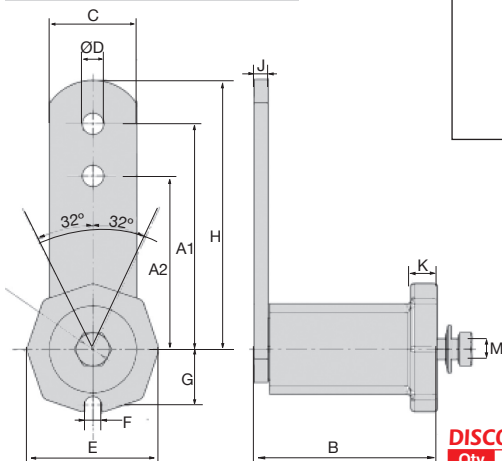
BTE

For standard applications

- Universal tension arm for use with PTR tension sprockets
- Angle of rotation +/- 32°
- Can be installation in any position
- Working temperature range: -42° to 80°C
- Material:
Body: steel (except BTE6, BTE7 and BTE8 which are cast iron)
Arm: steel

Accessories

- PTR idler sprocket (tome 4 p.138)



DISCOUNTS

Qty	1+	4+	10+
Disc.	List	-10%	On request

Part number	A1	A2	B	C	ØD	E	F	G	H	J	K	ØM	Force (N)		Weight (kg)	Stock*	Price each
													0-32°	A1			
BTE2-M6	80	60	52	20	8,5	38	8	16	90,0	5	7	M6	0-90	0-110	0,200	✓	28,04 €
BTE3-M8	100	80	63	25	10,5	48	8,5	21	122,5	5	10	M8	0-140	0-170	0,360	✓	35,57 €
BTE4-M10	100	80	78	30	10,5	59	8,5	25	115,0	6	12	M10	0-320	0-430	0,590	✓	43,03 €
BTE5-M12	130	100	108	50	12,5	76	10,5	32	155,0	8	15	M12	0-820	0-1050	1,640	✓	78,60 €
BTE6-M16	175	140	140	60	20,5	92	12,5	41	205,0	10	17	M16	0-1500	0-1880	3,330	-	134,77 €
BTE7-M20	220	175	198	70	20,5	112	12,5	51	255,0	12	18	M20	0-2500	0-3200	6,220	-	190,91 €
BTE8-M24	250	200	212	80	20,5	130	17	52	290	20	20	M24	0-3900	0-4900	9,16	-	486,76 €

*Depending on availability - Dimensions in mm

- Universal tensioner arm for applications in hostile environments

- Angle of rotation +/- 32°
- Can be mounted in any position
- Used with PTR/SS chain tensioners
- Working temp range -42 to +80°C
- Materials :

Body stainless steel X5 crNi 18-10

Arm : stainless steel 304L

Screw : stainless steel A2

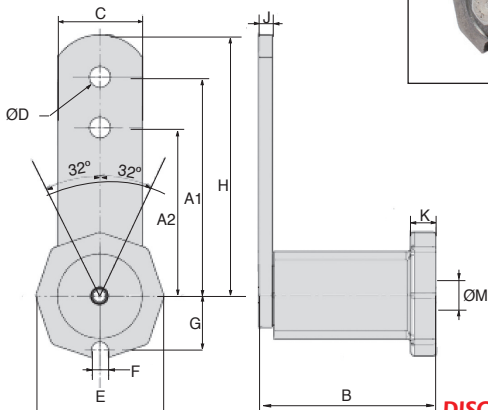
For hostile environments

stainless steel



Accessories

- PTR/SS idler sprocket (tome 4 p.139)



DISCOUNTS

Qty	1+	3+	5+
Disc.	List	-10%	On request

Part number	A1	A2	B	C	ØD	E	F	G	H	J	K	ØM	Force (N)		Weight (kg)	Price each 1 to 2
													0-32°	A2		
BTE2-M6/SS	80	60	52	20	8,5	38	8	16	90,0	5	7	M6	0-90	0-110	0,210	52,38 €
BTE3-M8/SS	100	80	63	25	10,5	48	8,5	21	112,5	5	10	M8	0-140	0-170	0,380	67,33 €
BTE4-M10/SS	100	80	78	30	10,5	59	8,5	25	115,0	6	12	M10	0-320	0-430	0,620	104,78 €
BTE5-M12/SS	130	100	108	50	12,5	76	10,5	34	155,0	8	15	M12	0-820	0-1050	1,700	187,18 €
BTE6-M16/SS	175	140	140	60	20,5	92	12,5	41	205,0	10	17	M16	0-1500	0-1880	3,420	280,79 €

* Depending on availability - Dimensions in mm