

Single rod clip



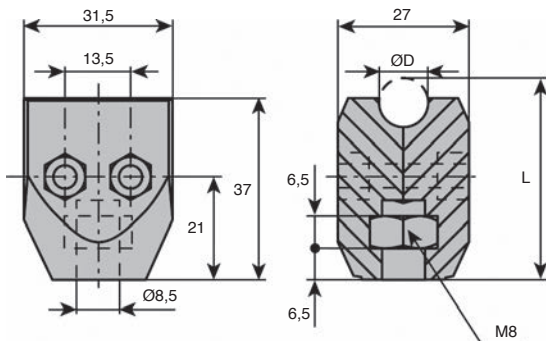
BSPT

Plastic

- Materials:

Body: reinforced polyamide

Screws: stainless steel 304



DISCOUNTS

Qty	1+	50+	100+	200+
Disc.	List	-5%	-10%	On request

Part number	ØD	L	Weight (kg)	Stock*	Price each 1 to 49
BSPT-8	8	40	0,04	-	1,50 €
BSPT-10	10	41	0,04	✓	1,50 €
BSPT-12	12	42	0,04	✓	1,50 €
BSPT-14	14	42	0,04	✓	1,50 €

*Depending on availability - Dimensions in mm

Our other products



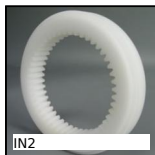
CLR
Straight clevis,
Straight clevis for use
with a male clevis



ADL_F
Female eye bolt
conforms to DIN582,
Stainless steel



PFM
Fixed levelling foot,
Flanged plate



IN2
Internal gear,
Machined plastic
(delrin)



PTA100ssEB
Articulated foot with
sheet metal base
Ø100, Articulated foot



AC
Strike for toggle latch,
15mm



CHMX_CHMDX
Shaft for worm and
wheel reducer CHMR
and CHM, CHMR and
CHM gearbox...



SMS
Spiral bevel gear, 1:1



DH
Dowel pin, Solid DIN
6325



PRF_GAL
Roller for aluminium
profile, Fixing kit for



SVG
Adjustable latch
clamp with strike



PCS_PA6
Plastic sprocket,
9.525mm (DIN 06B-1)

Complementary products



GMC_GMK_BR
Guiding profile clamp,
Flat or rounded



APB_F
Adjusting rod for
clamp - Male,
Threaded



SDG
Adjustable guide
support bracket,
Plastic



SDG_SS
Universal adjustable
guide support
bracket, Stainless
steel