

Single rod clip



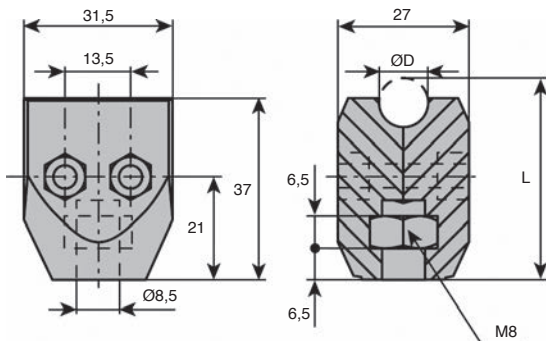
BSPT

Plastic

- Materials:

Body: reinforced polyamide

Screws: stainless steel 304



DISCOUNTS

Qty	1+	50+	100+	200+
Disc.	List	-5%	-10%	On request

Part number	ØD	L	Weight (kg)	Stock*	Price each 1 to 49
BSPT-8	8	40	0,04	-	1,50 €
BSPT-10	10	41	0,04	✓	1,50 €
BSPT-12	12	42	0,04	✓	1,50 €
BSPT-14	14	42	0,04	✓	1,50 €

*Depending on availability - Dimensions in mm

Our other products



GLB

Small 6 lobe female handle, Technopolymer - Stainless steel



BLHM30

Right angled gearbox, double output shafts, up to 4.4 Nm



YG3

HEAVY DUTY spur gear, Steel 35NCD6



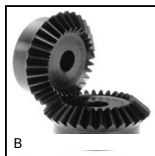
PCS37

Chain sprocket - steel, 9.525mm (DIN06B-1)



NT62

Spur gear coaxial gearbox, from 6 to 18 Nm - Inline



B

Steel bevel gear, 1:1



BUH77

Motor-gearbox 12V and 24V DC, from 0.1 to 2 Nm



PGNT

Thermoplastic T handle, With threaded spindle



CHAFR-MINI

Miniature friction hinge, Friction



SH1

Parallel axis helical gear, Steel 20NCD2



PRF_P

Anchor foot for 45x45 profile, Anchor foot



STC

Shock Absorber - stop collar, Universal flange

Complementary products



GMC_GMK_BR

Guiding profile clamp, Flat or rounded



APB_F

Adjusting rod for clamp - Male, Threaded



SDG

Adjustable guide support bracket, Plastic



SDG_SS

Universal adjustable guide support bracket, Stainless steel