

# Knurled threaded torque Knob

## BSC

## Adjustable torque

- **Knurled knob with coloured insert**

- **Materials:**

Dark grey thermoplastic

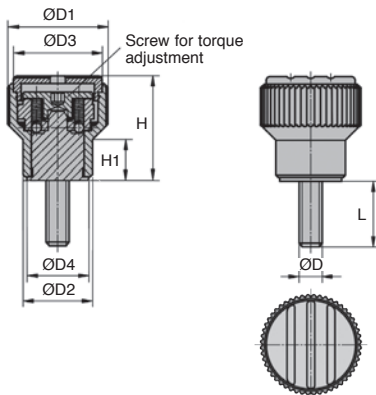
Thread: steel blue chromed

### Info.

- The required torque is adjusted by means of a screw.
- As soon as this torque is reached, the knurled knob will start to slip.

### Options

- Versions with different coloured inserts are available, signal red, dark grey, yellow



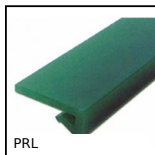
### DISCOUNTS

Qty	1+	6+	10+	25+
Disc.	List	-5%	-10%	On request

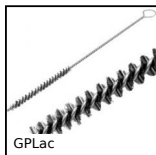
Part number	ØD	L	ØD1	ØD2	ØD3	ØD4	H	H1	T	Torque range (Nm)	Price each 1 to 5
<b>Grey insert</b>											
BSC26-M5-30	M5	30	26	18	23	16	27	10,5	5	0,1 - 0,3	45,16 €
BSC26-M5-50	M5	50	26	18	23	16	27	10,5	5	0,1 - 0,3	45,42 €
BSC26-M6-30	M6	30	26	18	23	16	27	10,5	6	0,1 - 0,3	45,16 €
BSC34-M6-40	M6	40	34	22	31	20	37,5	14,5	10	0,1 - 0,3	71,14 €
BSC34-M6-50	M6	50	34	22	31	20	37,5	14,5	10	0,1 - 0,3	45,42 €
BSC34-M6-60	M6	60	34	22	31	20	37,5	14,5	10	0,1 - 0,3	50,15 €
BSC34-M8-40	M8	40	34	22	31	20	37,5	14,5	14	0,1 - 0,3	49,78 €
BSC34-M8-60	M8	60	34	22	31	20	37,5	14,5	14	0,1 - 0,3	50,15 €

Dimensions in mm

## Our other products



Wear strip for slat top chain, L profile to be clipped



Brush, steel



Single housed bearing, Bearing fitted with adhesive



Right angle spiro bevel gearbox, Up to 43Nm



Asynchronous AC Motor 1.1 to 1.85kW, 1.1 to 1.85kW



Worm and wheel gear reducer, up to 138 Nm - Integrated torque limiter



Manual locking clamp, Manual locking clamp LWH



Internal gear, Steel 20NCD2



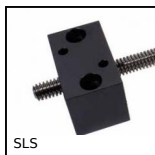
24V DC motorisation kit, Planetary gears



Hammerhead screw, Hammerhead screw



H Type Guide units, For Ø40 actuators



Bearing block for leadscrew, Fixed Drylin® bearing block

## Complementary products



Knurled torque knobs - female, Knurled threaded torque