

Flange mounting ball transfer unit

BPL

For light loads

- Pressed steel ball transfer unit
- With 2 fixing holes for screws or rivets
- For light loads
- Housing made from pressed sheet metal
- With drainage hole and felt seal.
- Orientation: horizontal with ball upwards
- Max. speed: 1m/s
- Working temperature range: -20 to +70°C
- Materials:

BPL:galvanised steel body and steel balls

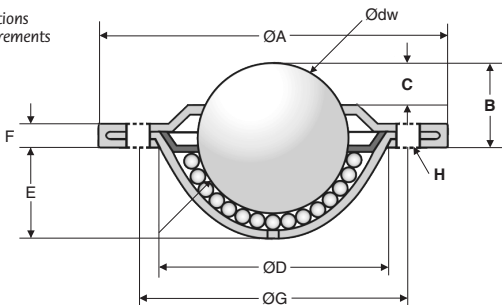
BPL/SS:stainless steel body and stainless steel

420 balls



Advantages

- Ideal for small applications with small space requirements



DISCOUNTS

Qty	1+	6+	20+	40+	60+
Disc.	Net	-10%	-15%	-20%	On request

Part N°	Ødw ball	ØA	B	C	ØD	E	F	ØG	ØH	Carrying capacity (kg)	Weight (g)	Price each 1 to 5	Stock*
													✓
Corps acier / Billes acier													
BPL15-41	15,0	41,0	10,8	5,0	24,0	8,5	3,2	30,0	2 x 3,4	15	0,045	4,16 €	✓
BPL19-61	19,0	61,0	10,0	3,2	29,1	12,0	3,2	44,5	2 x 5,1	25	0,090	4,05 €	✓
BPL25-73	25,4	73,0	14,2	6,3	37,2	15,8	3,5	55,6	2 x 5,1	55	0,170	5,48 €	✓
BPL25-56	25,0	56,0	14,6	7,8	36,0	15,4	3,3	45,0	2 x 4,0	60	0,125	5,87 €	✓
BPL32-73	32,0	73,7	16,2	8,0	45,5	19,9	4,2	58,7	2 x 5,1	125	0,269	9,01 €	✓
Corps inox / Billes inox													
BPL19-61/SS	19,0	61,0	10,0	3,2	29,1	12,0	3,2	44,5	2 x 5,1	25	0,086	10,20 €	✓
BPL25-73/SS	25,4	73,0	14,2	6,3	37,2	15,8	3,5	55,6	2 x 5,1	55	0,172	14,75 €	-
BPL32-73/SS	32,0	73,7	16,2	8,0	45,5	19,9	4,2	58,7	2 x 5,1	125	0,256	20,29 €	✓

All dimensions in mm

Our other products



SH1

Parallel axis helical gear, Steel 20NCD2



DBL820

Idler for slat top chain, Ranges 820 and 815



BMM

Knurled knob - male, Knurled



SUPccss

Self-centering clamping hub stainless steel, With lock nut



CHM110

Worm and wheel gear reducer, up to 980 Nm



RHTplss

High Temperature Castor, up to 200kg



BEAB

Knob star grip antibacterial, Star, anti-bacterial



V3RA_PTR

3-spoked handwheel with foldable handle, Polyamide



PR880

Idler sprocket for slat top chain, Range 880



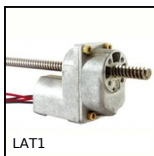
SSDB

Stainless steel bevel gear, 2:1



M1

Worm and wheel set, Non hardened steel



LAT1

1A motorised linear actuator, 1 ampere

Complementary products



BPL

Ball transfer unit light duty, Light



BPLE

Ball transfer unit push fit, Light



BPLF

Ball transfer unit light duty, Light