



# Spring loaded ball transfer unit

For heavy loads

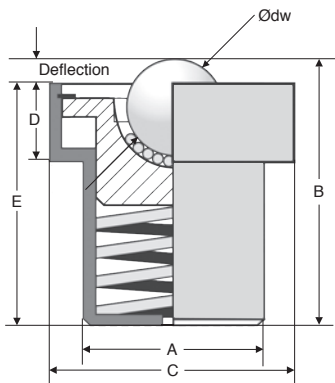
BPHRF

- Ball transfer unit with solid body
- For heavy loads
- Machined bodies and covers
- Lubricated for life
- Orientation: horizontal with ball upwards
- Unique drainage hole
- Max. speed: 1.5m/s
- Working temperature range: -30 to +100°C
- Materials:  
Galvanised steel body and chromed steel balls



## Advantages

- Good resistance to shocks



## DISCOUNTS

Qty	1+	6+	20+	40+	60+
Disc.	Net	-10%	-15%	-20%	On request

Part N°	$\varnothing dw$ ball	$\varnothing A$	B	$\varnothing C$	D	E	Carrying capacity (kg)	Load at max		Price each 1 to 5
								Deflection	deflection	
BPHRF22-39	22	39,0	58,0	50	14,0	53,5	70	4,5	90	66,18 €
BPHRF30-48	30	48,5	70,0	62	17,5	63,0	135	7,0	170	104,32 €
BPHRF45-66	45	66,5	100,5	85	25,5	90,0	230	10,5	290	136,41 €

All dimensions in mm

**0 825 88 6000**  
Service 0,15 € / min  
+ prix appel

Fax

cial2@hpceurope.com

HPC

SUPPLEMENT 2019

263

## Our other products



RPP

Connecting plate,  
RPP14



MEB-ALI

Moulded plastic bevel  
gear (blue nylon), 1:1



DOMI50

DOMILINE -  
Accessories, Plate



UTKswrr

Linear motion  
Utilitrack®, V rail



NCT

Square tube  
connector, Fixed  
angle



PWDL PWGDL25

Worm - precision  
range, Peek



BSCf

Knob for clamping,  
Knurled threaded  
torque



UTKswr

Linear motion  
Utilitrack®, V rail



CHAfR

Hinge, Adjustable  
friction



DER63

3 phase AC  
asynchronous motor -  
Stainless steel,



CHMR90

Worm and wheel  
gearbox, up to 540  
Nm



PTKFss

Foot for the food  
industry, Stainless  
steel - 3-A standard

## Complementary products



BPHR

Ball transfer unit, High