

Spring loaded ball transfer unit



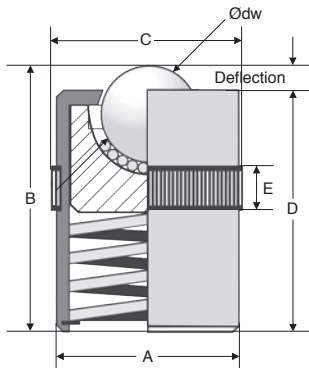
BPHR

For heavy loads

- **Ball transfer unit with solid body**
- For heavy loads
- Machined bodies and covers
- Lubricated for life
- Orientation: horizontal with ball upwards
- Unique drainage hole
- Max. speed: 1.5m/s
- Working temperature range: -30 to +100°C
- Materials:
Galvanised steel body and chromed steel balls

Advantages

- Good resistance to shocks



DISCOUNTS

Qty	1+	6+	20+	40+	60+
Disc.	Net	-10%	-15%	-20%	On request

Part N°	Ødw ball	ØA	B	ØC	D	E	Carrying capacity (kg)	Deflection	Load at max	Price each
									deflection	
BPHR12-24	12,7	23,9	30	24,5	28,5	10,5	40	1,5	90	53,90 €
BPHR16-30	15,8	29,9	36	30,5	34,5	10,5	60	1,5	110	77,20 €
BPHR25-40	25,4	39,8	48	40,5	46,5	10,5	100	1,5	175	96,61 €
BPHR30-50	30,0	49,9	60	50,5	58,5	12,3	335	1,5	585	196,14 €

All dimensions in mm

Our other products



BSPT
Single rod clip, Round



PR821
Idler sprocket for slat top chain, Ranges 821 and 805



RAGb
Cylindrical brush track, For gentle conveying and handling



PRF_GAL
Roller for aluminium profile, Flat roller



PAP
Handle for aluminium profile, Ergonomic handle



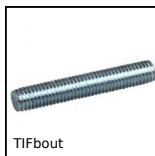
GDR880
Straight track for slat top chain, Ranges 880 and 881



MLY
Bow shackle with eye bolt, Steel



F7-SN
Multifunction display, Articulated support



TIFbout
Threaded stud - DIN976A, Steel



PW_PWG3
Worm - precision range, Steel



LRR
Catch-plate for latch, Catch-plate



GCL
Linear ball slide Eco Range, economy range

Complementary products



BPHRF
Ball transfer unit housed spring loaded, High