

Clip for ball transfer unit

BPHFCLIP

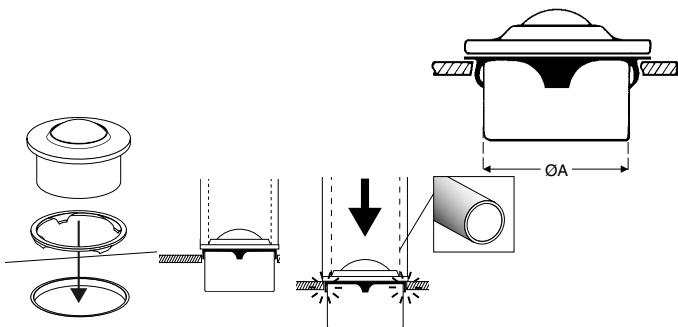
Easy mounting

- Mounting clip for barrel shaped ball transfer units
- Compensates for irregularities in size and diameter
- Ideal for where there is only access to one side of the mounting surface
- When using mounting clips, the diameter and height will change. For effective retention, a plate thickness of at least 3 mm is required



Mounting

- 1 Install the clip in the bore
- 2 Push the ball unit through the clip
- 3 The external tabs extend and grip the shaft of the supporting ball



Typical application



DISCOUNTS

Qty	1+	6+	20+	40+	60+
Disc.	Net	-10%	-15%	-20%	On request

Part N°	ØA	Ø Bore min/max	Additional height	For ball unit	Price each 1 to 5
Steel clip					
BPHF15-CLIP	24	25,0 - 25,5	+0,3	BPHF15 - BPLE15 - BPPE15	1,37 €
BPHF22-CLIP	36	37,0 - 37,5	+0,3	BPHF22 - BPLE22 - BPPE22	1,62 €
BPHF30-CLIP	45	46,0 - 46,5	+0,3	BPHF30 - BPLE30 - BPPE30	1,69 €
BPHF45-CLIP	62	63,0 - 63,5	+0,3	BPHF45 - BPLE45 - BPPE45	1,93 €
Stainless steel fixing clip					
BPHF15-CLIP/SS	24	25,0 - 25,5	+0,3	BPHF15 - BPLE15 - BPPE15	1,87 €
BPHF22-CLIP/SS	36	37,0 - 37,5	+0,3	BPHF22 - BPLE22 - BPPE22	2,09 €
BPHF30-CLIP/SS	45	46,0 - 46,5	+0,3	BPHF30 - BPLE30 - BPPE30	2,88 €

*Depending on availability - Dimensions in mm

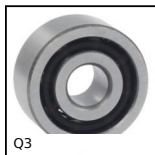
HPC

WEB
03/2022

www.hpceurope.com

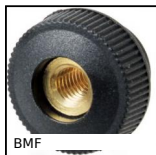
Tél: 0 825 88 5000 Service 0,15 €/min + prix appel

Our other products



Q3

Double row angular contact ball bearing, Angular contact - Steel



BMF

Knurled knob - female, Knurled - through threaded



BOXKU

Boxed set of half round (Woodruff) keys NFE22179, Boxed set of half ...



WJUM20

Drylin® W bearing block, Slide



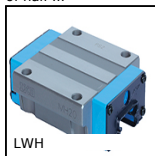
ESCON

Speed controller 5A, 5 A



SLBW

Indexing plunger, weldable, Weldable - Steel



LWH

High rigidity linear slide, Chariot - from 9320 N to 71300 N



SLS

Bearing block for leadscrew, Floating Drylin® bearing block



MSP23

Masterplate® glueable insert Ø23, 5 A



CCLSS

Stainless steel wire thimble, Stainless



RBS

Dynamic washer DIN2093, Steel



RTTss

Locking assembly, Medium/high torque

Complementary products



BPHF

Ball transfer unit push fit, Heavy



BPLE

Ball transfer unit push fit, Light



BPPE

Ball transfer unit push fit, Light



BPHF

Ball transfer unit push fit, Heavy