

Sheet steel flanged bearing for light loads



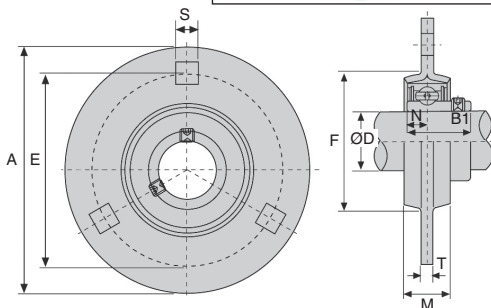
BPF

3 mounting points

- Pressed sheet steel
- Material : steel

Use

- Mounting single bearing (light loads only)



Part number	Load (kN)	
	Dynamic C	Static Co
BPF201	9,2	4,48
BPF202	9,2	4,48
BPF203	9,2	4,48
BPF204	12,2	6,30
BPF205	13,3	7,46
BPF206	18,5	10,80
BPF207	24,5	14,60

DISCOUNTS

Qty	1+	6+	20+	40+	60+
Disc.	List	-10%	-15%	-20%	On request

Part number	ØD	A	E	M	S	T	F (min)	Bolt size	B1	N	Weight (kg)	Stock*	Price each 1 to 5
BPF201	12	81	63,5	14	7,1	4,0	49	M6	22	6,0	0,27	✓	10,33 €
BPF202	15	81	63,5	14	7,1	4,0	49	M6	22	6,0	0,27	✓	10,41 €
BPF203	17	81	63,5	14	7,1	4,0	49	M6	22	6,0	0,27	-	10,79 €
BPF204	20	90	71,5	16	9,0	4,0	56	M8	25	7,0	0,33	✓	12,76 €
BPF205	25	95	76,0	18	9,0	4,0	60	M8	27	7,5	0,38	✓	13,44 €
BPF206	30	113	90,5	18	11,0	5,2	71	M10	30	8,0	0,62	-	19,74 €
BPF207	35	122	100,0	20	11,0	5,2	81	M10	32	8,5	0,82	✓	22,70 €

*Depending on availability - Dimensions in mm

Our other products



GE_ES_2RS
Spherical bushing,
Steel / steel with seals



RVM14
Manual worm and
wheel gearbox,
Worm/wheel



PRF_FIX_STD
Fastener for
aluminium profile,
Standard fastener



TAD
Threaded adjustable
feet, Plastic and steel



SVR30
Screwjack with
travelling nut, with
moving nut



DCA
Suction cup, 1.5
bellows, nitrile



TBEBASE
Base plate for
economic mini-table,
Allows X-Y cross
tables



BCFH
Mushroom headed
button Hygienic
Usit®, With male
thread and high head



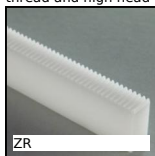
T5M T10M
T type timing belt per
metre, T10 Steel



BEK
Bearing housing for
miniature ballscrew,



AT5-25ECO
AT type timing pulley,
Economy range - AT5



ZR
Plastic rack, Delrin

Complementary products



BPP
Pressed steel flanged
bearing for light
loads, Sheet steel



BPF
Sheet steel flanged
bearing for light
loads, Sheet steel



BPFss
Pressed stainless
steel flange bearing,
Stainless steel