

Sheet steel flanged bearing for light loads



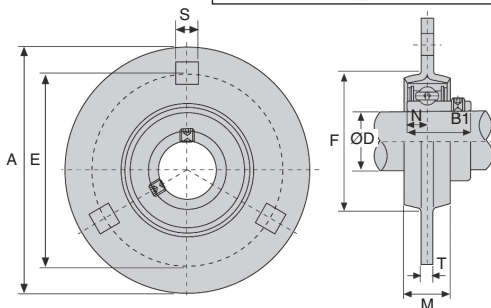
BPF

3 mounting points

- Pressed sheet steel
- Material : steel

Use

- Mounting single bearing (light loads only)



Part number	Load (kN)	
	Dynamic C	Static Co
BPF201	9,2	4,48
BPF202	9,2	4,48
BPF203	9,2	4,48
BPF204	12,2	6,30
BPF205	13,3	7,46
BPF206	18,5	10,80
BPF207	24,5	14,60

DISCOUNTS

Qty	1+	6+	20+	40+	60+
Disc.	List	-10%	-15%	-20%	On request

Part number	ØD	A	E	M	S	T	F (min)	Bolt size	B1	N	Weight (kg)	Stock*	Price each 1 to 5
BPF201	12	81	63,5	14	7,1	4,0	49	M6	22	6,0	0,27	✓	10,33 €
BPF202	15	81	63,5	14	7,1	4,0	49	M6	22	6,0	0,27	✓	10,41 €
BPF203	17	81	63,5	14	7,1	4,0	49	M6	22	6,0	0,27	-	10,79 €
BPF204	20	90	71,5	16	9,0	4,0	56	M8	25	7,0	0,33	✓	12,76 €
BPF205	25	95	76,0	18	9,0	4,0	60	M8	27	7,5	0,38	✓	13,44 €
BPF206	30	113	90,5	18	11,0	5,2	71	M10	30	8,0	0,62	-	19,74 €
BPF207	35	122	100,0	20	11,0	5,2	81	M10	32	8,5	0,82	✓	22,70 €

*Depending on availability - Dimensions in mm

Our other products



UTKpwc

Utilitrak® 3 wheels carriage, Polymer series V wheels



ACM_DZ

Clip for bonnet fastener, Clip



DER80

Stainless steel AC asynchronous motor 0.55 - 0.75kW, 0.55 to 0.75kW



MSP23

Masterplate® glueable insert Ø23, Cylindrical Ø23 with tapped ins...



KK

Rounded end feather key, Steel



PSG05S

Spur gear - precision range, Stainless steel 316



BLHT40

Right angled gearbox, from 4 to 10.30 Nm



PAS

Pull handle, Reinforced PA thermoplastic



PO

Pull handle - Multi-sector, Tapped recessed insert



SLB

Indexing plunger, stainless steel



GPLbr

Brush, brass



NSB

Standard linear bearing housing, Closed - Long

Complementary products



BPP

Pressed steel flanged bearing for light loads, Sheet steel



BPFL

Sheet steel flanged bearing for light loads, Sheet steel



BPFss

Pressed stainless steel flange bearing, Stainless steel