

# Right angled gearbox, dual output shafts

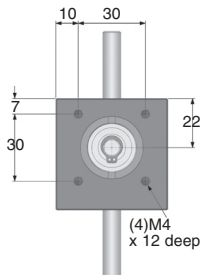
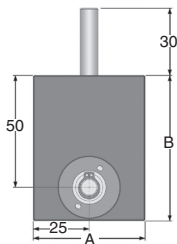
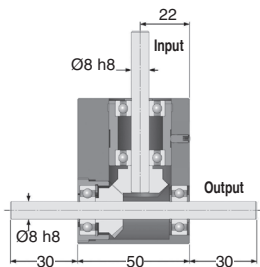
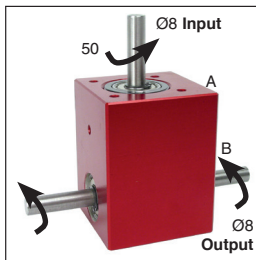
## BL8

## Torque up to 2Nm

- Ratios from 1:1 to 4:1
- Output backlash  $\leq 45'$  (0,75°)
- Max. input speed: 2,000 rpm
- Materials:
  - Casing: anodised aluminium
  - input and output : non-hardened steel
- Weight: 0.56 kg

### Options

- Can be modified to your specifications



### OUTPUT TORQUE (Nm: VALUES GIVEN AS A GUIDE ONLY)

Ratios	1:1	2:1	3:1	4:1	
INPUT SPEED (rpm)	2000	0,40	0,20	0,50	0,80
1000	0,50	0,30	0,50	0,90	
500	0,50	0,30	0,60	1,10	
200	0,60	0,40	0,70	1,30	
100	0,70	0,40	0,80	1,40	
50	0,80	0,40	0,90	1,60	
10	1,00	0,60	1,20	2,00	

### DISCOUNTS

Qty	1+	2+	4+
Disc.	List	-15%	On request

Part number	Ratio	Efficiency at 1000 rpm	Max. input speed (rpm)	Max. output speed (rpm)	A	B	Module	Stock*	Price each
BL8-1	1:1	88%	2000	2000	50	65	0,8	-	267,98 €
BL8-2	2:1	88%	2000	1000	50	65	0,8	-	267,98 €
BL8-3	3:1	88%	2000	666	50	75	0,8	✓	267,98 €
BL8-4	4:1	88%	2000	500	60	80	0,8	-	267,98 €
BL8-XH	1:1 - 4:1								With hardened gears = output torque x 2 - On request

\*Depending on availability - Dimensions in mm



# Right angled gearbox, dual output shafts

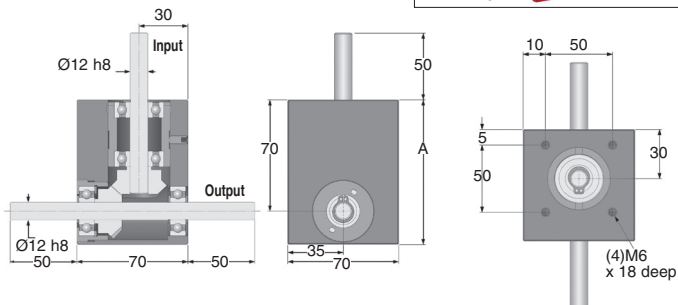
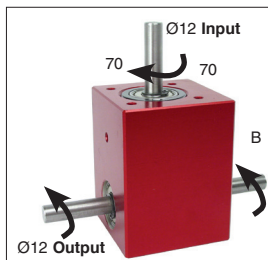
Torque up to 6Nm

BL15

- Ratios from 1:1 to 4:1
- Output backlash  $\leq 45'$  (0,75°)
- Max. input speed: 2,000 rpm
- Materials:
  - Casing: anodized aluminium
  - input and output : non-hardened steel
- Weight: 1.70 kg

## Options

- Can be modified to your specifications



## OUTPUT TORQUE (Nm: VALUES GIVEN AS A GUIDE ONLY)

Ratios	1:1	2:1	3:1	4:1
INPUT SPEED (rpm)	2000	1,10	2,30	2,20
1000	2,30	1,20	2,60	2,50
500	2,70	1,40	3,00	2,80
200	3,20	1,70	3,60	3,40
100	3,50	2,00	4,00	3,70
50	3,90	2,20	4,50	4,20
10	5,00	2,90	6,00	5,50

## DISCOUNTS

Qty	1+	2+	4+
Disc.	List -15%	On request	

Part number	Ratio	Efficiency at 1000 rpm	Max. input speed (rpm)	Max. output speed (rpm)	B	Module	Price each	
BL15-1	1:1	88%	2000	2000	90	1,5	369,96 €	
BL15-2	2:1	88%	2000	1000	105	1,5	369,96 €	
BL15-3	3:1	88%	2000	666	110	1,5	369,96 €	
BL15-4	4:1	88%	2000	500	120	1,0	446,32 €	
BL15-XH	1:1 - 4:1	With hardened gears = output torque x 2						on request

Dimensions in mm

# Right angled gearbox



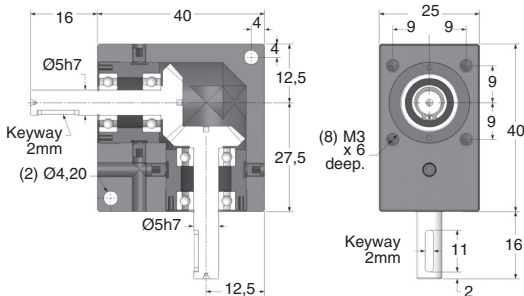
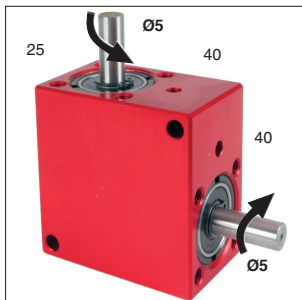
## BLH20

## Torque up to 1.77Nm

- **Input and output rotate in opposite directions**
- Ratios from 1:1 to 2:1
- Output backlash  $\leq 45'$  ( $0,75^\circ$ )
- Max. speed: 3,000 rpm
- Materials:
  - casing: anodised aluminium
  - input and output: hardened stainless steel
- Keyway conforms to DIN 6885
- Greased for life: Shell Gadus S2 V220AD 2
- Weight: 0.11 kg

### Options

- Can be modified to your specifications



### OUTPUT TORQUE (Nm values given as a guide only)

Ratios	1:1	2:1
3000	0,66	0,53
2000	0,72	0,58
INPUT SPEED (rpm)	0,88	0,70
500	1,00	0,80
100	1,35	1,08
50	1,48	1,18
10	1,77	1,41

### DISCOUNTS

Qty	1+	2+	4+
Disc.	List -15%		On request

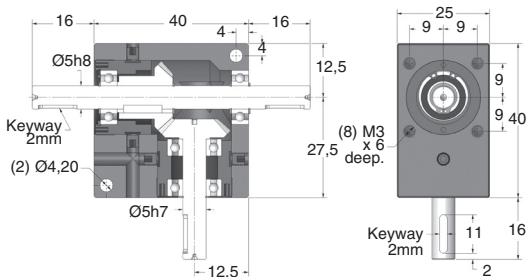
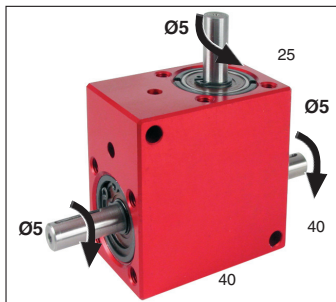
Part number	Ratio	Efficiency at 1000 rpm	Max. input speed (rpm)	Max. output speed (rpm)	Reflected inertia at input (kg.m <sup>2</sup> )	Stock*	Price each
BLH20-1	1:1	88%	3000	3000	$4,34 \times 10^{-7}$	✓	332,96 €
BLH20-2	2:1	88%	3000	1500	$8,41 \times 10^{-8}$	✓	332,96 €

\*Depending on availability - Dimensions in mm

- Through-shaft offers both output directions
- Ratios from 1:1 to 2:1
- Output backlash  $\leq 45'$  ( $0,75^\circ$ )
- Max. speed: 3,000 rpm
- Materials:
  - casing: anodised aluminium
  - input: hardened stainless steel
  - output: unhardened stainless steel
- Keyway conforms to DIN 6885
- Greased for life: Shell Gadus S2 V220AD 2
- Weight: 0.12 kg

### Options

- Can be modified to your specifications



### OUTPUT TORQUE (Nm values given as a guide only)

Ratios	1:1	2:1
3000	0,66	0,53
2000	0,72	0,58
1000	0,88	0,70
500	1,00	0,80
100 (rpm)	1,35	1,08
50	1,48	1,18
10	1,77	1,41

### DISCOUNTS

Qty	1+	2+	4+
Disc.	List	-15%	On request

Part number	Ratio	Efficiency at 1000 rpm	Max. input speed (rpm)	Max. output speed (rpm)	Reflected inertia at input (kg.m <sup>2</sup> )	Stock*	Price each
BLHT20-1	1:1	88%	3000	3000	$4,34 \times 10^{-7}$	✓	366,28 €
BLHT20-2	2:1	88%	3000	1500	$8,41 \times 10^{-8}$	-	366,28 €

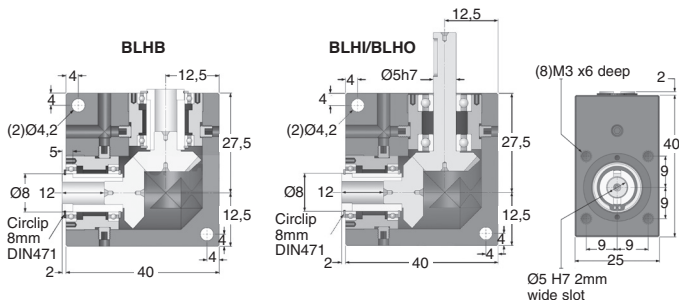
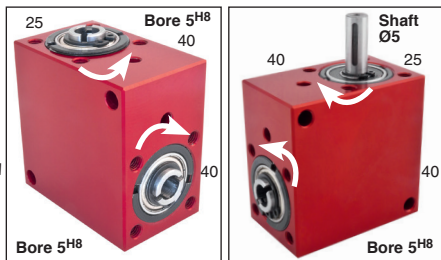
\*Depending on availability - Dimensions in mm

# Right angled gearbox, bored shafts Size XS

**BLHB20**  
**BLHI20**  
**BLHO20**

Torque up to 1.77Nm

- Input and output rotate in opposite directions
- Ratio from 1:1 to 2:1
- Output backlash  $\leq 45'$  (0,75°)
- Max. speed: 3,000 rpm
- Greased for life
- Materials:
  - casing: anodised aluminium
  - gears: hardened stainless steel
- Allowable loads, please refer to the technical pages



**OUTPUT TORQUE (Nm VALUES GIVEN AS A GUIDE ONLY)**

Ratios	1:1	2:1
INPUT SPEED (rpm)	3000	2000
	0,66	0,53
	2000	0,72
	0,88	0,70
	1000	1,00
	0,80	1,35
	100	1,08
	1,48	1,18
	50	1,77
	10	1,41

## DISCOUNTS

Qty	1+	2+	4+
Disc.	List -15%	On request	On request

Part number	Ratios	Input shaft	Output shaft	Efficiency			Stock*	Price each
				at 1000 (rpm)	input speed (rpm)	Max. output speed (rpm)		
BLHB20-1	1:1	Bore	Bore	88%	3000	3000	✓	407,59 €
BLHB20-2	2:1	Bore	Bore	88%	3000	1500	✓	407,59 €
BLHI20-1	1:1	Bore	Shaft	88%	3000	3000	✓	372,28 €
BLHI20-2	2:1	Bore	Shaft	88%	3000	1500	✓	372,28 €
BLHO20-2	2:1	Shaft	Bore	88%	3000	1500	✓	372,28 €

\*Depending on availability - Dimensions in mm

# Right angled gearbox, dual output shafts Size XS

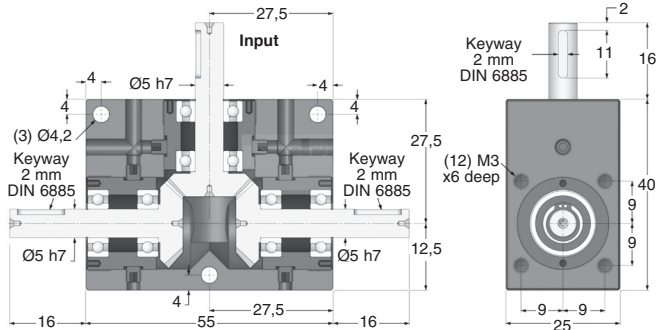
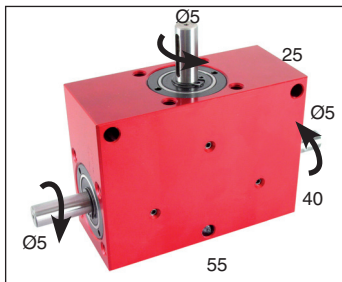
## BLHM20

## Torque up to 1.77Nm

- Input and two outputs have a reversed direction of rotation
- Ratios of 1:1 to 2:1
- Output backlash  $\leq 45'$  (0,75°)
- Max. speed: 3,000 rpm
- Materials: casing: anodised aluminium  
input and output: hardened stainless steel
- Weight: 0.16 kg

### Options

- Can be modified to your specifications



Output torque Nm (Nm values given as a guide only)

Ratios	1:1	2:1
3000	0,66	0,53
2000	0,72	0,58
INPUT SPEED	0,88	0,70
500 (rpm)	1,00	0,80
100	1,35	1,08
50	1,48	1,18
10	1,77	1,41

**Innovative !**  
**Outputs rotate in opposite directions**

### DISCOUNTS

Qty	1+	2+	4+
Disc.	List	-15%	On request

Part number	Ratio	Efficiency at 1000 rpm	Max. input speed (rpm)	Max. output speed (rpm)	Reflected inertia at input (kg.m <sup>2</sup> )	Stock*	Price each
BLHM20-1	1:1	88%	3000	3000	4,34 x 10 <sup>-7</sup>	✓	499,52 €
BLHM20-2	2:1	88%	3000	1500	8,41 x 10 <sup>-8</sup>	✓	499,52 €

\*Depending on availability - Dimensions in mm

# Right angled gearbox



## BLH30

## Torque up to 4.4Nm

### - Input and output rotate in opposite directions

- Ratios from 1:1 to 2:1
- Output backlash  $\leq 45'$  (0,75°)
- Max. speed: 3,000 rpm

### - Materials:

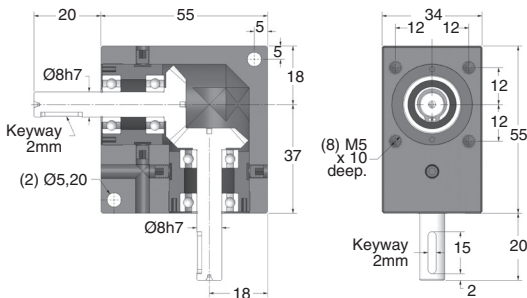
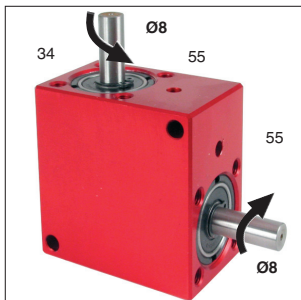
casing: anodised aluminium

input and output: hardened stainless steel

- Keyway conforms to DIN 6885
- Greased for life: Shell Gadus S2 V220AD 2
- Weight: 0.28 kg

## Options

- Can be modified to your specifications



### OUTPUT TORQUE (Nm values given as a guide only)

Ratios	1:1	2:1
3000	1,65	1,32
2000	1,81	1,45
1000	2,20	1,76
500	2,51	2,00
100 (rpm)	3,38	2,70
50	3,70	3,00
10	4,40	3,54

### DISCOUNTS

Qty	1+	2+	4+
Disc.	List	-15%	On request

Part number	Ratio	Efficiency at 1000 rpm	Max. input speed (rpm)	Max. output speed (rpm)	Reflected inertia at input (kg.m <sup>2</sup> )	Stock*	Price each
BLH30-1	1:1	88%	3000	3000	$2,19 \times 10^{-6}$	✓	430,51 €
BLH30-2	2:1	88%	3000	1500	$5,00 \times 10^{-7}$	✓	430,51 €

\*Depending on availability - Dimensions in mm



# Right angled gearbox, dual output shafts

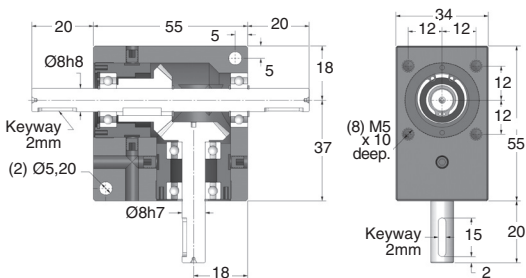
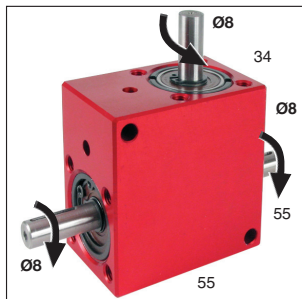
Torque up to 4.4Nm

BLHT30

- **Through shaft** offers both output directions
- Ratios from 1:1 to 2:1
- Output backlash  $\leq 45'$  ( $0,75^\circ$ )
- Max. speed: 3,000 rpm
- Materials:
  - casing: anodised aluminium
  - input: hardened stainless steel
  - output: non-hardened stainless steel
- Keyway conforms to DIN 6885
- Greased for life: Shell Gadus S2 V220AD 2
- Weight: 0.3 kg

## Options

- Can be modified to your specifications



## OUTPUT TORQUE (Nm values given as a guide only)

Ratios	1:1	2:1
3000	1,65	1,32
2000	1,81	1,45
1000	2,20	1,76
500	2,51	2,00
100	3,38	2,70
50	3,70	3,00
10	4,40	3,54

## DISCOUNTS

Qty	1+	2+	4+
Disc.	List	-15%	On request

Part number	Ratio	Efficiency at 1000 rpm	Max. input speed (rpm)	Max. output speed (rpm)	Reflected inertia at input (kg.m <sup>2</sup> )	Stock*	Price each
BLHT30-1	1:1	88%	3000	3000	$2,19 \times 10^{-6}$	✓	473,56 €
BLHT30-2	2:1	88%	3000	1500	$5,00 \times 10^{-7}$	✓	473,56 €

\*Depending on availability - Dimensions in mm



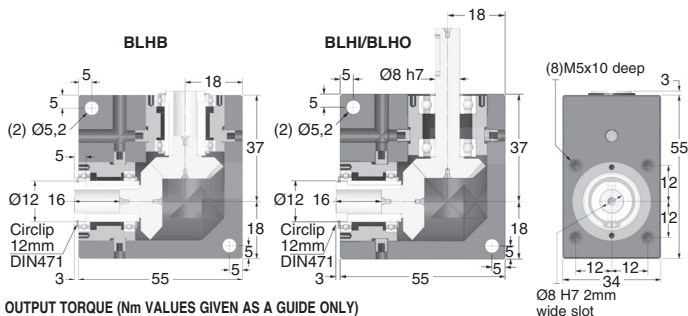
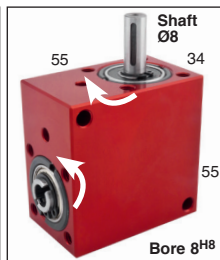
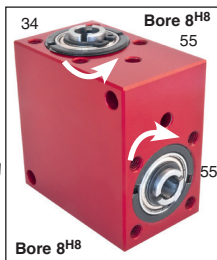


# Right angled gearbox, bored shafts

Torque up to 4.4Nm

**BLHB30**  
**BLH130**  
**BLHO30**

- Input and output rotate in opposite directions
- Ratio from 1:1 to 2:1
- Output backlash  $\leq 45'$  ( $0,75^\circ$ )
- Max. speed: 3,000 rpm
- Greased for life
- Materials:
  - casing: anodised aluminium
  - gears: hardened stainless steel
- Allowable loads, please refer to the technical pages



## OUTPUT TORQUE (Nm VALUES GIVEN AS A GUIDE ONLY)

Ratios		1:1	2:1
INPUT SPEED (rpm)	3000	1,65	1,32
	2000	1,81	1,45
	1000	2,20	1,76
	500	2,51	2,00
	100	3,38	2,70
	50	3,70	3,00
	10	4,40	3,54

## DISCOUNTS

Qty	1+	2+	4+
Disc.	List	-15%	On request

Part number	Ratios	Input shaft	Output shaft	Efficiency at 1000 (rpm)	Max. input speed (rpm)	speed (rpm)	Stock*	Price each
BLHB30-1	1:1	Bore	Bore	88%	3000	3000	✓	527,09 €
BLHB30-2	2:1	Bore	Bore	88%	3000	1500	✓	527,09 €
BLH130-1	1:1	Bore	Shaft	88%	3000	3000	✓	481,44 €
BLH130-2	2:1	Bore	Shaft	88%	3000	1500	✓	481,44 €
BLHO30-2	2:1	Shaft	Bore	88%	3000	1500	✓	481,44 €

\*Depending on availability - Dimensions in mm



# Right angled gearbox, dual output shafts

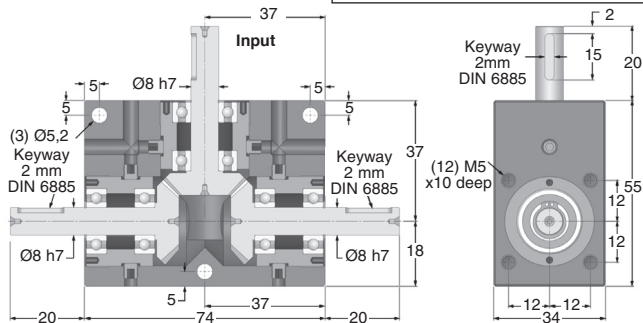
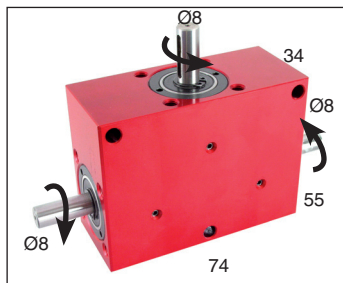
Torque up to 4.4Nm

BLHM30

- Input and two outputs have a reversed direction of rotation
- Ratios of 1:1 to 2:1
- Output backlash  $\leq 45'$  ( $0,75^\circ$ )
- Max. speed: 3,000 rpm
- Materials: casing: anodised aluminium  
input and output: hardened stainless steel
- Weight: 0.35 kg

## Options

- Can be modified to your specifications



Output torque Nm (Nm values given as a guide only)

Ratios	1:1	2:1
3000	1,65	1,32
2000	1,81	1,45
INPUT SPEED (rpm)	2,20	1,76
500	2,51	2,00
100	3,38	2,70
50	3,70	3,00
10	4,40	3,54

**Innovative !**  
Outputs rotate in opposite directions

## DISCOUNTS

Qty	1+	2+	4+
Disc.	List	-15%	On request

Part number	Ratio	Efficiency at 1000 rpm	Max. input speed (rpm)	Max. output speed (rpm)	Reflected inertia at input (kg.m <sup>2</sup> )	Stock*	Price each
BLHM30-1	1:1	88%	3000	3000	$2,19 \times 10^{-6}$	✓	645,82 €
BLHM30-2	2:1	88%	3000	1500	$5,00 \times 10^{-7}$	✓	645,82 €

\*Depending on availability - Dimensions in mm

# Right angled gearbox



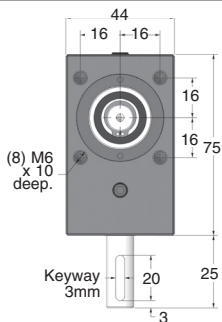
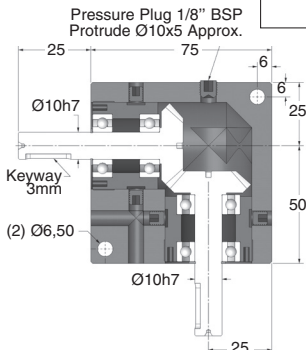
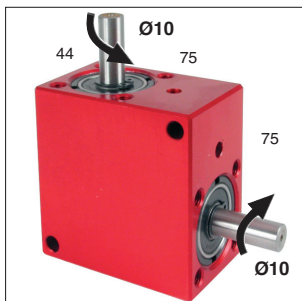
## BLH40

## Torque up to 10.3Nm

- Input and output rotate in opposite directions
- Ratios from 1:1 to 2:1
- Output backlash  $\leq 45'$  (0,75°)
- Max. speed: 3,000 rpm
- Materials:
  - casing: anodised aluminium
  - input and output: hardened stainless steel
- Keyway conforms to DIN 6885
- Greased for life: Shell Gadus S2 V220AD 2
- Weight: 0.90 kg

### Options

- Can be modified to your specifications



### OUTPUT TORQUE (Nm values given as a guide only)

Ratios		1:1	2:1
INPUT SPEED (rpm)	3000	4,00	3,00
	2000	4,40	3,40
	1000	5,10	4,00
	500	5,80	4,60
	100	7,60	6,00
	50	8,50	6,30
	10	10,30	8,00

### DISCOUNTS

Qty	1+	2+	4+
Disc.	List	-15%	On request

Part number	Ratio	Efficiency at 1000 rpm	Max. input speed (rpm)	Max. output speed (rpm)	Reflected inertia at input (kg.m <sup>2</sup> )	Stock*	Price each
BLH40-1	1:1	88%	3000	3000	6,42 x 10 <sup>-6</sup>	✓	549,26 €
BLH40-2	2:1	88%	3000	1500	1,40 x 10 <sup>-6</sup>	✓	549,26 €

\*Depending on availability - Dimensions in mm



# Right angled gearbox

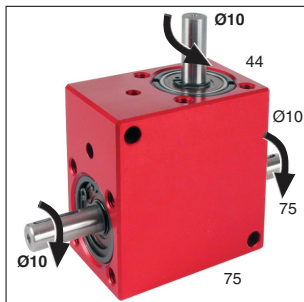
Torque up to 10.3Nm

BLHT40

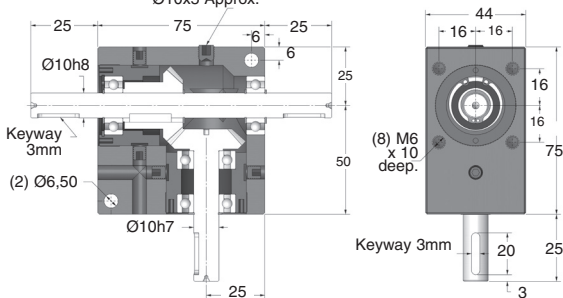
- **Through shaft offers both output directions**
- Ratios from 1:1 to 2:1
- Output backlash  $\leq 45'$  ( $0,75^\circ$ )
- Max. speed: 3,000 rpm
- Materials:
  - casing: anodised aluminium
  - input: hardened stainless steel
  - output: unhardened stainless steel
- Keyway conforms to DIN 6885
- Greased for life: Shell Gadus S2 V220AD 2
- Weight: 1 kg

## Options

- Can be modified to your specifications



1/8" BSP  
pressure Plug  
Protrude  
Ø10x5 Approx.



## OUTPUT TORQUE (Nm values given as a guide only)

Ratios	1:1	2:1
3000	4,00	3,00
2000	4,40	3,40
1000	5,10	4,00
500	5,80	4,60
100	7,60	6,00
50	8,50	6,30
10	10,30	8,00

## DISCOUNTS

Qty	1+	2+	4+
Disc.	List	-15%	On request

Part number	Ratio	Efficiency at 1000 rpm	Max. input speed (rpm)	Max. output speed (rpm)	Reflected inertia at input (kg.m <sup>2</sup> )	Stock*	Price each
BLHT40-1	1:1	88%	3000	3000	$6,42 \times 10^{-6}$	✓	604,21 €
BLHT40-2	2:1	88%	3000	1500	$1,40 \times 10^{-6}$	✓	604,21 €

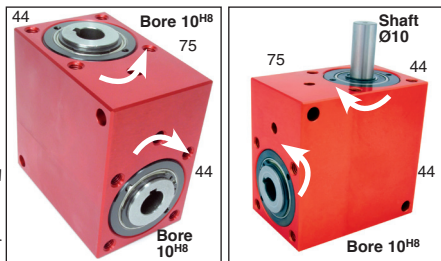
\*Depending on availability - Dimensions in mm

# Right angled gearbox, bored shafts

**BLHB40**  
**BLHI40**  
**BLHO40**

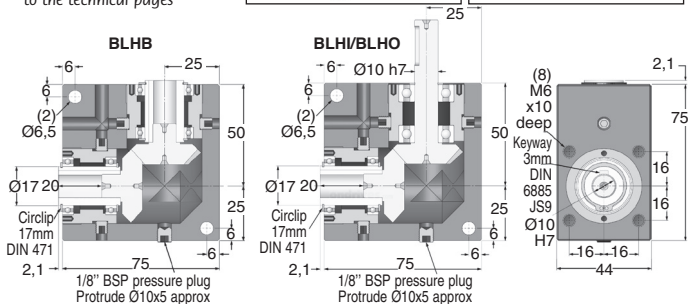
**Torque up to 10.3Nm**

- Input and output rotate in opposite directions
- Ratio from 1:1 to 2:1
- Right angled gearbox with bored shafts
- Output backlash  $\leq 45'$  (0,75°)
- Max. speed: 3,000 rpm
- Greased for life
- Materials:
  - casing: anodised aluminium
  - gears: hardened stainless steel



## Info.

- Pressure plug 1/8" BSP
- For allowable loads, please refer to the technical pages



## OUTPUT TORQUE (Nm VALUES GIVEN AS A GUIDE ONLY)

Ratios	1:1	2:1
INPUT SPEED (rpm)	3000	3,00
500	4,40	3,40
200	5,10	4,00
100	5,80	4,60
50	7,60	6,00
25	8,50	6,30
10	10,30	8,00

## DISCOUNTS

Qty	1+	2+	4+
Disc.	List	-15%	On request

Part number	Ratios	Input shaft	Output shaft	Efficiency at 1000 (rpm)	Max. input speed (rpm)	Max. output speed (rpm)	Stock*	Price each
BLHB40-1	1:1	Bore	Bore	88%	3000	3000	✓	709,07 €
BLHB40-2	2:1	Bore	Bore	88%	3000	1500	✓	709,07 €
BLHI40-1	1:1	Bore	Shaft	88%	3000	3000	✓	647,62 €
BLHI40-2	2:1	Bore	Shaft	88%	3000	1500	✓	647,62 €
BLHO40-2	2:1	Shaft	Bore	88%	3000	1500	✓	647,62 €

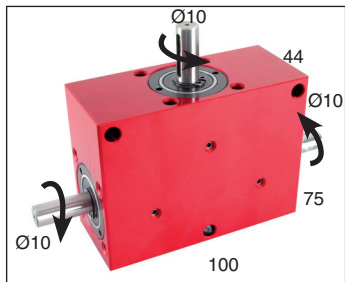
\*Depending on availability - Dimensions in mm

# Right angled gearbox, dual output shafts

## BLHM40

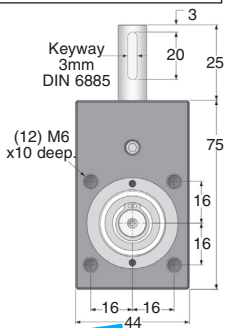
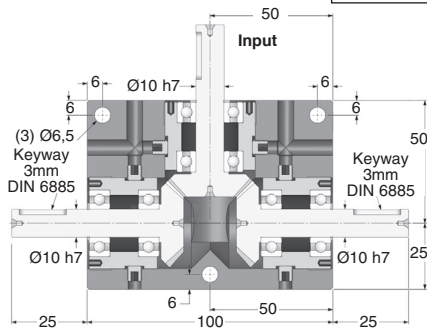
## Torque up to 10.3Nm

- Input and two outputs have a reversed sense of rotation
- Ratios of 1:1 to 2:1
- Output backlash  $\leq 45'$  (0,75°)
- Max. speed: 3,000 rpm
- Materials: casing: anodised aluminium  
input and output: hardened stainless steel
- Weight: 1.1 kg



### Options

- Can be modified to your specifications



Output torque Nm (Nm values given as a guide only)

Ratios	1:1	2:1
3000	4,00	3,00
2000	4,40	3,40
1000	5,10	4,00
SPEED	5,80	4,60
(rpm)	7,60	6,00
100	8,50	6,30
50	10,30	8,00
10		

**Innovative !**  
Outputs rotate in different directions

### DISCOUNTS

Qty	1+	2+	4+
Disc.	List	-15%	On request

Part number	Ratio	Efficiency at 1000 rpm	Max. input speed (rpm)	Max. output speed (rpm)	Reflected inertia at input (kg.m <sup>2</sup> )	Stock*	Price each
BLHM40-1	1:1	88%	3000	3000	6,43 x 10 <sup>-6</sup>	✓	823,98 €
BLHM40-2	2:1	88%	3000	1500	1,40 x 10 <sup>-6</sup>	✓	823,98 €

\*Depending on availability - Dimensions in mm

# Right angled gearbox



## BLH50

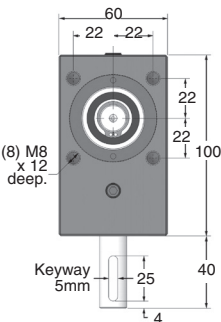
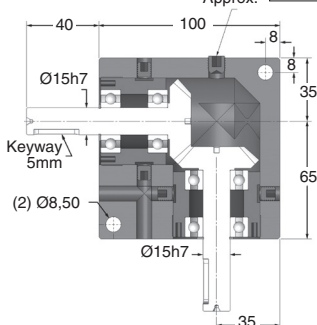
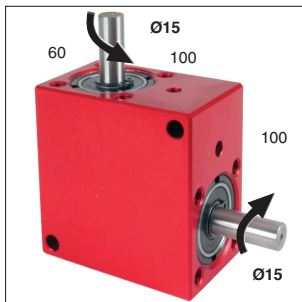
## Torque up to 30Nm

- Input and output rotate in opposite directions
- Ratios from 1:1 to 2:1
- Output backlash  $\leq 45'$  ( $0,75^\circ$ )
- Max. speed: 3,000 rpm
- Materials:
  - casing: anodised aluminium
  - input and output: hardened steel
- Keyway conforms to DIN 6885
- Greased for life: Shell Gadus S2 V220AD 2
- Weight: 2.20 kg

### Options

- Can be modified to your specifications

Pressure Plug  
1/8" BSP  
Protrude  $\varnothing 10 \times 5$   
Approx.



### OUTPUT TORQUE (Nm values given as a guide only)

Ratios		1:1	2:1
INPUT SPEED (rpm)	3000	11,50	7,70
	2000	13,20	8,70
	1000	15,90	10,20
	500	17,50	11,60
	100	23,00	15,00
	50	25,00	17,00
	10	30,00	20,00

### DISCOUNTS

Qty	1+	2+	4+
Disc.	List -15%		On request

Part number	Ratio	Efficiency at 1000 rpm	Max. input speed (rpm)	Max. output speed (rpm)	Reflected inertia at input (kg.m <sup>2</sup> )	Stock*	Price each
BLH50-1	1:1	88%	3000	3000	$4,76 \times 10^{-5}$	✓	826,37 €
BLH50-2	2:1	88%	3000	1500	$1,25 \times 10^{-5}$	✓	826,37 €

\*Depending on availability - Dimensions in mm



# Right angled gearbox, dual output shafts

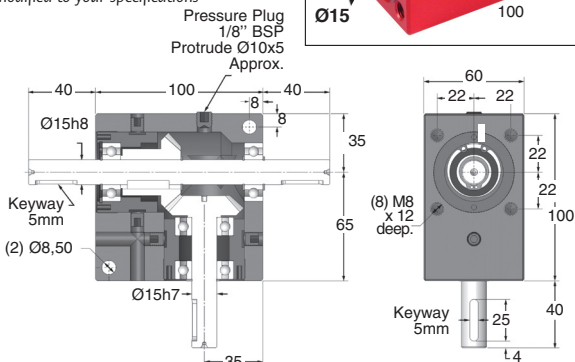
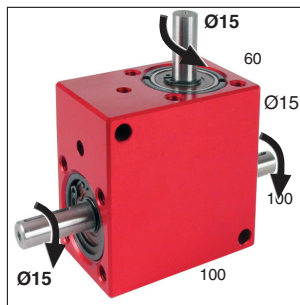
**Torque up to 30Nm**

**BLHT50**

- Trough-shaft offer both output directions
- Ratios from 1:1 to 2:1
- Output backlash  $\leq 45'$  ( $0,75^\circ$ )
- Max. speed: 3,000 rpm
- Materials:
  - casing: anodised aluminium
  - input: hardened steel
  - output: unhardened steel
- Keyway conforms to DIN 6885
- Greased for life: Shell Gadus S2 V220AD 2
- Weight: 2.31 kg

## Options

- Can be modified to your specifications



## OUTPUT TORQUE (Nm values given as a guide only)

Ratios		1:1	2:1
INPUT SPEED (rpm)	3000	11,50	7,70
	2000	13,20	8,70
	1000	15,90	10,20
	500	17,50	11,60
	100	23,00	15,00
	50	25,00	17,00
	10	30,00	20,00

## DISCOUNTS

Qty	1+	2+	4+
Disc.	List	-15%	On request

Part number	Ratio	Efficiency at 1000 rpm	Max. input speed (rpm)	Max. output speed (rpm)	Reflected inertia at input (kg.m <sup>2</sup> )	Stock*	Price each
BLHT50-1	1:1	88%	3000	3000	$4,76 \times 10^{-5}$	✓	907,23 €
BLHT50-2	2:1	88%	3000	1500	$1,25 \times 10^{-5}$	✓	907,23 €

\*Depending on availability - Dimensions in mm





# Right angled gearbox, bored shafts

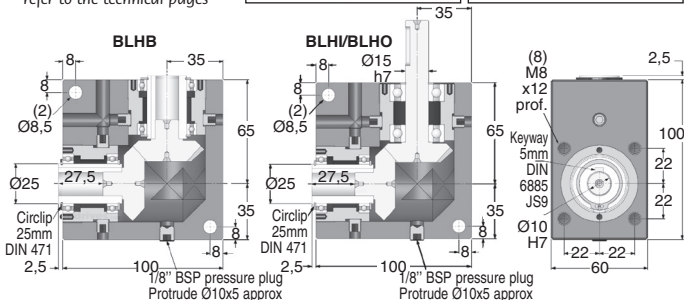
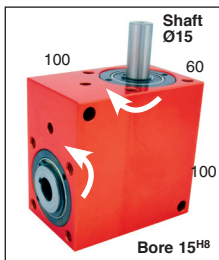
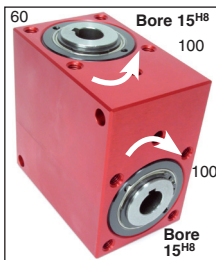
Torque up to 30Nm

**BLHB50**  
**BLHI50**  
**BLHO50**

- Input and output rotate in opposite directions
- Ratio from 1:1 to 2:1
- Right angled gearbox with bored shafts
- Output backlash  $\leq 45'$  ( $0,75^\circ$ )
- Max. speed: 3,000 rpm
- Greased for life
- Materials:  
casing: anodised aluminium  
gears: case hardened steel

### Info.

- Pressure plug 1/8" BSP
- For allowable loads, please refer to the technical pages



### OUTPUT TORQUE (Nm VALUES GIVEN AS A GUIDE ONLY)

Ratios	1:1	2:1
3000	11,50	7,70
2000	13,20	8,70
1000	15,90	10,20
500	17,50	11,60
100	23,00	15,00
50	25,00	17,00
10	30,00	20,00

### DISCOUNTS

Qty	1+	2+	4+
Disc.	List -15%	On request	On request

Part number	Ratios	Input shaft	Output shaft	Efficiency at 1000 (rpm)	Max. input speed (rpm)	Max. output speed (rpm)	Stock*	Price each
BLHB50-1	1:1	Bore	Bore	88%	3000	3000	✓	1 066,84 €
BLHB50-2	2:1	Bore	Bore	88%	3000	1500	✓	1 066,84 €
BLHI50-1	1:1	Bore	Shaft	88%	3000	3000	✓	974,45 €
BLHI50-2	2:1	Bore	Shaft	88%	3000	1500	✓	974,45 €
BLHO50-2	2:1	Shaft	Bore	88%	3000	1500	✓	974,45 €

\*Depending on availability - Dimensions in mm



# Right angled gearbox, dual output shafts

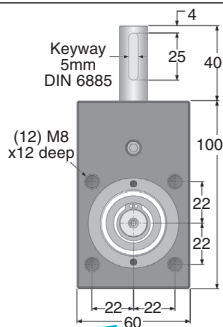
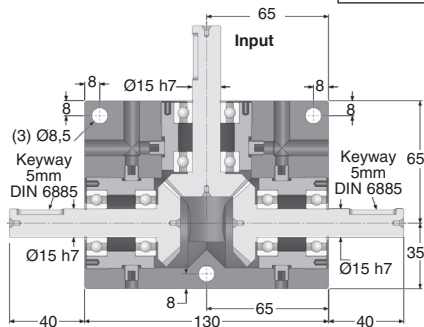
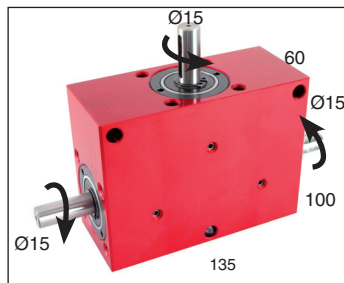
**Torque up to 30Nm**

**BLHM50**

- Through-shaft offers both output directions
- Ratios of 1:1 to 2:1
- Output backlash  $\leq 45'$  ( $0,75^\circ$ )
- Max. speed: 3,000 rpm
- Materials: casing: anodised aluminium  
input: hardened steel,  
output: hardened steel
- Weight: 2.3 kg

## Options

- Can be modified to your specifications



Output torque Nm (Nm values given as a guide only)

Ratios	1:1	2:1
3000	11,50	7,70
2000	13,20	8,70
INPUT SPEED (rpm)	15,90	10,20
500	17,50	11,60
100	23,00	15,00
50	25,00	17,00
10	30,00	20,00

**Innovative !**  
Outputs rotate in different directions

## DISCOUNTS

Qty	1+	2+	4+
Disc.	List	-15%	On request

Part number	Ratio	Efficiency at 1000 rpm	Max. input speed (rpm)	Max. output speed (rpm)	Reflected inertia at input (kg.m <sup>2</sup> )	Stock*	Price each
BLHM50-1	1:1	88%	3000	3000	4,76 x 10 <sup>-5</sup>	✓	1 239,69 €
BLHM50-2	2:1	88%	3000	1500	1,25 x 10 <sup>-5</sup>	✓	1 239,69 €

\*Depending on availability - Dimensions in mm

# Right angled gearbox



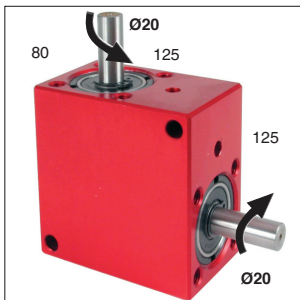
## BLH60

## Torque up to 70Nm

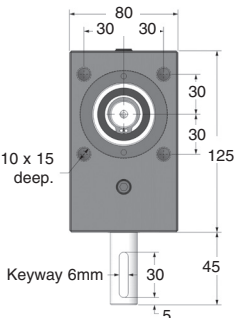
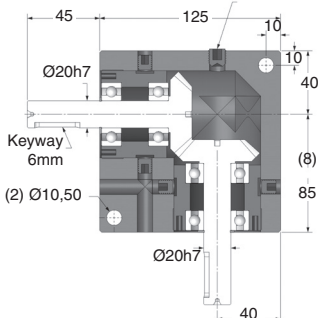
- **Input and output rotate in opposite directions**
- Ratios from 1:1 to 2:1
- Output backlash  $\leq 45'$  (0,75°)
- Max. speed: 3,000 rpm
- Materials:
  - casing: anodised aluminium
  - input and output: hardened steel
- Keyway conforming to DIN 6885
- Greased for life: Shell Gadus S2 V220AD 2
- Weight: 4.5 kg

### Options

- Can be modified to your specifications



Pressure Plug  
1/8" BSP  
Protrude Ø10x5  
Approx.



### OUTPUT TORQUE (Nm values given as a guide only)

Ratios		1:1	2:1
INPUT SPEED (rpm)	3000	26,00	19,00
	2000	30,00	22,00
	1000	35,00	25,00
	500	35,00	25,00
	100	53,00	38,00
	50	57,00	43,00
	10	70,00	52,00

### DISCOUNTS

Qty	1+	2+	4+
Disc.	List	-15%	On request

Part number	Ratio	Efficiency at 1000 rpm	Max. input speed (rpm)	Max. output speed (rpm)	Reflected inertia (kg.m <sup>2</sup> )	Price each
BLH60-1	1:1	88%	3000	3000	$1,99 \times 10^{-4}$	940,72 €
BLH60-2	2:1	88%	3000	1500	$3,87 \times 10^{-5}$	940,72 €

\*Depending on availability - Dimensions in mm



# Right angled gearbox, dual output shafts

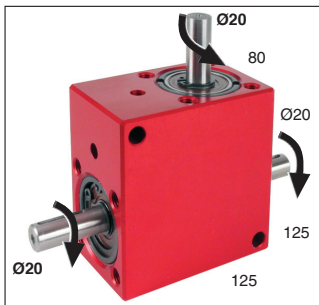
**Torque up to 70Nm**

**BLHT60**

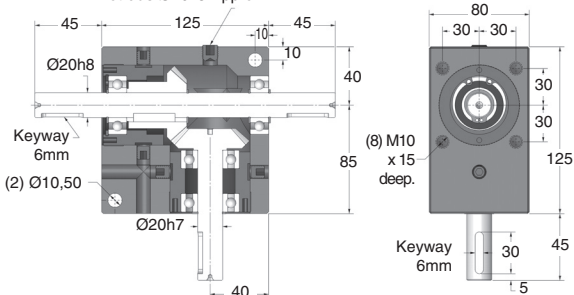
- **Through shaft** offers both output directions
- Ratios from 1:1 to 2:1
- Output backlash  $\leq 45'$  ( $0,75^\circ$ )
- Max. speed: 3,000 rpm
- Materials:
  - casing: anodised aluminium
  - input: hardened steel
  - output: unhardened steel
- Keyway conforms to DIN 6885
- Greased for life: Shell Gadus S2 V220AD 2
- Weight: 4.75 kg

## Options

- Can be modified to your specifications



Pressure Plug  
1/8" BSP  
Protrude Ø10x5 Approx.



## OUTPUT TORQUE (Nm values given as a guide only)

Ratios	1:1	2:1
3000	26,00	19,00
2000	30,00	22,00
1000	35,00	25,00
500	35,00	25,00
100	53,00	38,00
50	57,00	43,00
10	70,00	52,00

## DISCOUNTS

Qty	1+	2+	4+
Disc.	List	-15%	On request

Part number	Ratio	Efficiency at 1000 rpm	Max. input speed (rpm)	Max. output speed (rpm)	Reflected inertia at input (kg.m <sup>2</sup> )	Price each
BLHT60-1	1:1	88%	3000	3000	$1,99 \times 10^{-4}$	1 034,78 €
BLHT60-2	2:1	88%	3000	1500	$3,87 \times 10^{-5}$	1 034,78 €

\*Depending on availability - Dimensions in mm



# Right angled gearbox, bored shafts

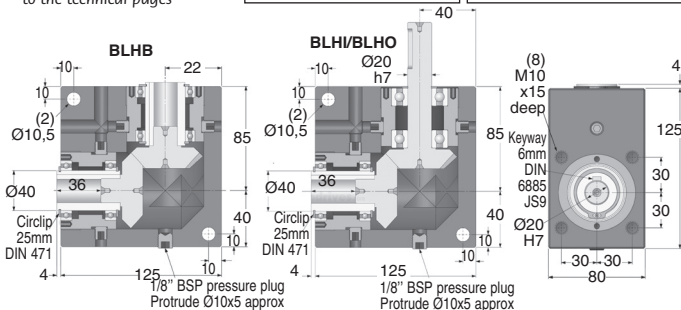
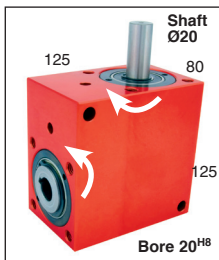
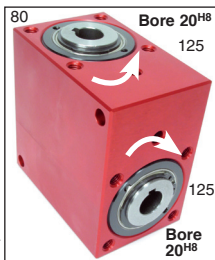
Torque up to 70Nm

BLHB60  
BLHI60  
BLHO60

- Input and output rotate in opposite directions
- Ratio from 1:1 to 2:1
- Right angled gearbox with bored shafts
- Output backlash  $\leq 45'$  (0,75°)
- Max. speed: 3,000 rpm
- Greased for life
- Materials:
  - casing: anodised aluminium
  - gears: case hardened steel

## Info.

- Pressure plug 1/8" BSP
- For allowable loads, please refer to the technical pages



## OUTPUT TORQUE (Nm VALUES GIVEN AS A GUIDE ONLY)

Ratios	1:1	2:1
3000	26,00	19,00
2000	30,00	22,00
1000	35,00	25,00
500	40,00	29,00
100	53,00	38,00
50	57,00	43,00
10	70,00	52,00

Part number	Ratios	Input shaft	Output shaft	Efficiency at 1000 (rpm)	Max. input speed (rpm)	Max. output speed (rpm)	Stock*	Price each
BLHB60-1	1:1	Bore	Bore	88%	3000	3000	✓	1 214,36 €
BLHB60-2	2:1	Bore	Bore	88%	3000	1500	✓	1 214,36 €
BLHI60-1	1:1	Bore	Shaft	88%	3000	3000	✓	1 109,24 €
BLHI60-2	2:1	Bore	Shaft	88%	3000	1500	✓	1 109,24 €
BLHO60-2	2:1	Shaft	Bore	88%	3000	1500	✓	1 109,24 €

\*Depending on availability - Dimensions in mm

# Right angled gearbox, dual output shafts

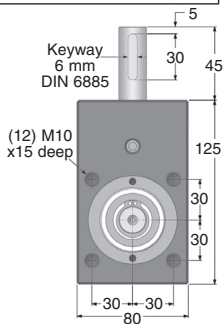
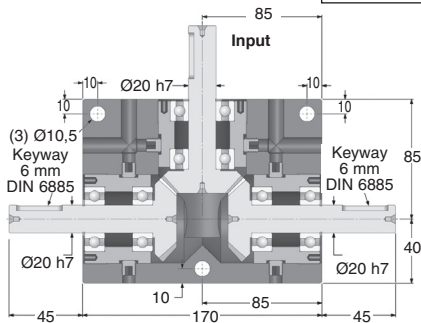
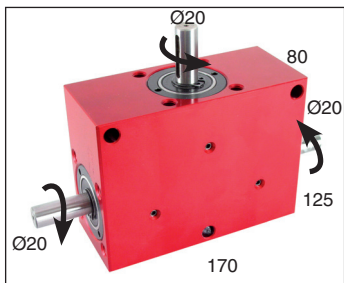
## BLHM60

## Torque up to 70Nm

- Input and two outputs have a reversed sense of direction
- Ratios of 1:1 to 2:1
- Output backlash  $\leq 45'$  (0,75°)
- Max. speed: 4,000 rpm
- Materials: casing: anodised aluminium  
input: hardened steel,  
output: hardened steel
- Weight: 5.20 kg

### Options

- Can be modified to your specifications



Output torque Nm (Nm values given as a guide only)

Ratios	1:1	2:1
INPUT SPEED (rpm)		
3000	26,00	19,00
2000	30,00	22,00
1000	35,00	25,00
500	40,00	29,00
100	53,00	38,00
50	57,00	43,00
10	70,00	52,00

**Innovative !**  
Outputs rotate in different directions

### DISCOUNTS

Qty	1+	2+	4+
Disc.	List	-15%	On request

Part number	Ratio	Efficiency at 1000 rpm	Max. input speed (rpm)	Max. output speed (rpm)	Reflected inertia at input (kg.m <sup>2</sup> )	Stock*	Price each
BLHM60-1	1:1	88%	3000	3000	1,99 x 10 <sup>-4</sup>	-	1 411,21 €
BLHM60-2	2:1	88%	3000	1500	3,87 x 10 <sup>-5</sup>	-	1 411,21 €

Dimensions in mm

# Right angled gearbox



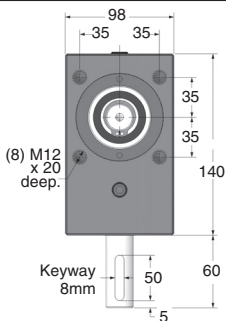
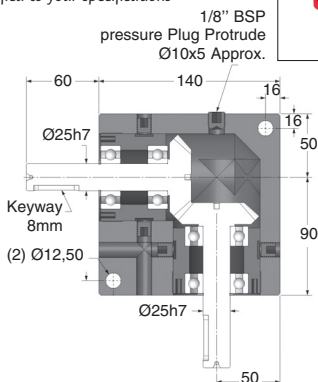
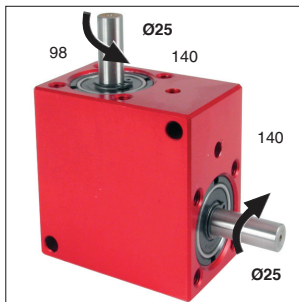
## BLH70

## Torque up to 128Nm

- **Input and output rotate in opposite directions**
- Ratios from 1:1 to 2:1
- Output backlash  $\leq 45'$  ( $0,75^\circ$ )
- Max. speed: 3,000 rpm
- Materials:
  - casing: anodised aluminium
  - input and output: hardened steel
- Keyway conforms to DIN 6885
- Greased for life: Shell Gadus S2 V220AD 2
- Weight: 7.05 kg

### Options

- Can be modified to your specifications



### OUTPUT TORQUE (Nm values given as a guide only)

Ratios		1:1	2:1
INPUT SPEED (rpm)	3000	43	26
	2000	47	30
	1000	51	34
	500	64	38
	100	85	51
	50	94	60
	10	128	77

### DISCOUNTS

Qty	1+	2+	4+
Disc.	List	-15%	On request

Part number	Ratio	Efficiency at 1000 rpm	Max. input speed (rpm)	Max. output speed (rpm)	Reflected inertia at input (kg.m <sup>2</sup> )	Price each
BLH70-1	1:1	88%	3000	3000	$4,15 \times 10^{-4}$	1 888,16 €
BLH70-2	2:1	88%	3000	1500	$1,12 \times 10^{-4}$	1 888,16 €

Dimensions in mm



# Right angled gearbox, dual output shafts

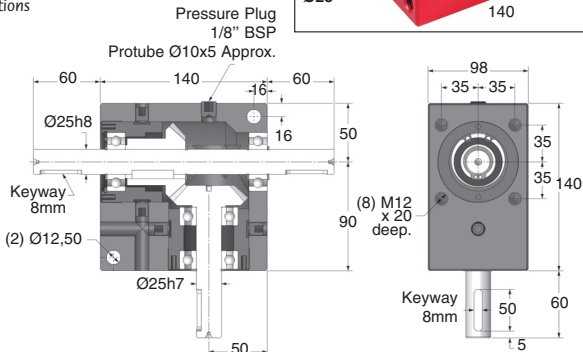
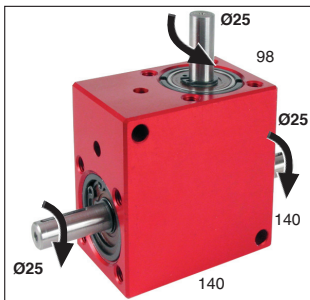
Torque up to 128Nm

BLHT70

- Trough-shaft offers both output directions
- Ratios from 1:1 to 2:1
- Output backlash  $\leq 45'$  ( $0,75^\circ$ )
- Max. speed: 3,000 rpm
- Materials:
  - casing: anodised aluminium
  - input: hardened steel
  - output: unhardened steel:
- Keyway conforms to DIN 6885
- Greased for life: Shell Gadus S2 V220AD 2
- Weight: 7.20 kg

## Options

- Can be modified to your specifications



## OUTPUT TORQUE (Nm values given as a guide only)

Ratios	1:1	2:1
3000	43	26
2000	47	30
1000	51	34
500	64	38
100	85	51
50	94	60
10	128	77

## DISCOUNTS

Qty	1+	2+	4+
Disc.	List	-15%	On request

Part number	Ratio	Efficiency at 1000 rpm	Max. input speed (rpm)	Max. output speed (rpm)	Reflected inertia at input (kg.m <sup>2</sup> )	Price each
BLHT70-1	1:1	88%	3000	3000	$4,15 \times 10^{-4}$	2 062,22 €
BLHT70-2	2:1	88%	3000	1500	$1,12 \times 10^{-4}$	2 062,22 €

Dimensions in mm



# Right angle gearbox, single or dual output

## Technical information

## BLH, BLHT, BL, BLHB

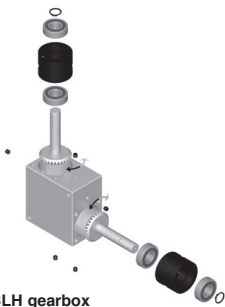
- **Speed ratio: from 1:1 to 4:1**
- **Materials :**  
housing anodised aluminium  
case hardened steel gears or  
hardened stainless steel
- **Max. speed: 2,000 to 3,000 rpm on  
input depending on model**
- **Backlash:  $\leq 45'$  (0,75°) on output**
- **Lubrication: greased for life  
(Shell Gadus S2 V220AD 2 grease)**
- **Guarantee: 13 months**
- **Tolerances : ground shafts h7,  
Ra 0.8**



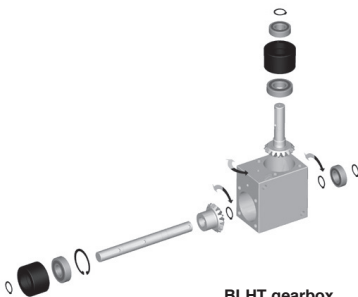
BLH range



BLHT range



BLH gearbox

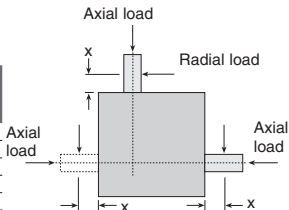


BLHT gearbox

### ADMISSIBLE LOADS

Part number	Distance 'X' (mm)	Radial load (N)	Axial load (N)
BLH20 BLHT20	6	10	5
BLH30 BLHT30	10	30	20
BLH40 BLHT40	12	60	50
BLH50 BLHT50	20	200	100
BLH60 BLHT60	25	300	150
BLH70 BLHT70	30	500	200

Data given based on input speed of 1,000 rpm.  
Values given as an indication only.

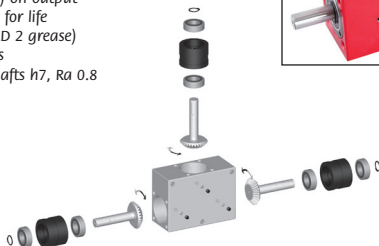
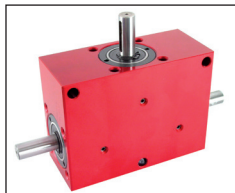


# Double output bevel gearbox

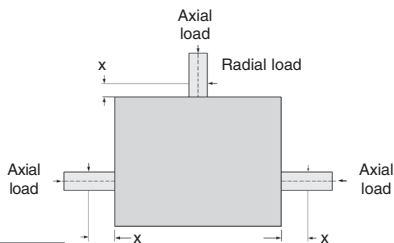
## BLHM

## Technical information

- **Speed ratio: from 1:1 to 2:1**
- **Materials :**  
housing anodised aluminium  
case hardened steel gears
- **Max. speed: 2,000 to 4,000 rpm** on input depending on model
- **Backlash:  $\leq 45'$  ( $0,75^\circ$ )** on output
- **Lubrication: greased for life**  
(Shell Gadus S2 V220AD 2 grease)
- **Guarantee: 13 months**
- **Tolerances: ground shafts h7, Ra 0.8**



BLHM series



### ADMISSIBLE LOADS

Part number	Distance 'X' (mm)	Radial load (N)	Axial load (N)
BLHM20	6	10	5
BLHM30	10	30	20
BLHM40	12	60	50
BLHM50	20	200	100
BLHM60	25	300	150
BLHM70	30	500	200

Data given based on input speed of 1,000 rpm.  
values given as an indication only.