



# Right angled gearbox, dual output shafts

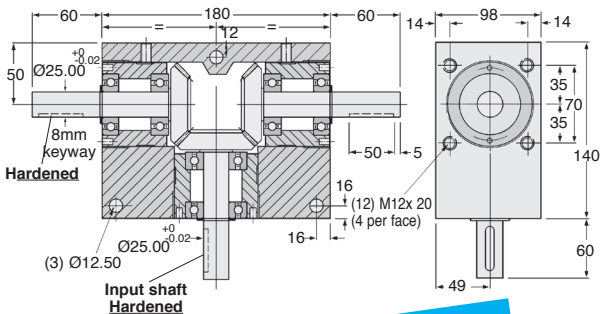
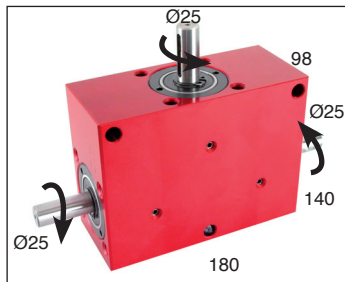
Torque up to 128Nm

BLHM70

- Input and two outputs have a reversed sens of direction
- Ratios of 1:1 to 2:1
- Output backlash  $\approx 1^\circ$
- Max. speed: 4,000 rpm
- Materials: casing: anodised aluminium  
input: hardened steel,  
output: hardened steel
- Weight: 8.76 kg

## Options

- Can be modified to your specifications



Output torque Nm (Nm values given as a guide only)

Ratios	1:1	2:1
3000	43	26
2000	47	30
INPUT 1000	51	34
SPEED 500	64	38
(rpm) 100	85	51
50	94	60
10	128	77

**Innovative !**  
Outputs rotate in different directions

## DISCOUNTS

Qty	1+	2+	4+
Disc.	List	-15%	On request

Part number	Ratio	Efficiency at 1000 rpm	Max. input speed (rpm)	Max. output speed (rpm)	Module	Price each
BLHM70-1	1:1	88%	3000	3000	4,0	On request
BLHM70-2	2:1	88%	3000	1500	2,5	On request

Dimensions in mm

## Our other products



AFM

Flanged polymer bush, Food grade polymer



RJA10\_03

Sealing strip, Clipping



SUPccss

Self-centering clamping hub stainless steel, With lock nut



AT5P\_AT10P

Connecting plate for AT type timing belts, AT10



DER90

Stainless steel AC asynchronous motor 1.1 - 1.5kW, 1.1 to 1.5kW



Gal-cardan

Single universal joint eco series, Low duty



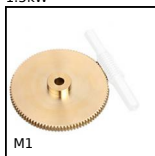
PSPE20

Conical flexible shaft handle Ø20, Black PVC



PTRSS

Idler chain sprocket, For hostile environments



M1

Wormwheel, Bronze



LVT

Miniature motorised actuator 2A, 2 ampers



AHEX

Hexagonal shaft, Hexagonal shaft



VRBS

Folding lifting ring for welding, Folding - for welding

## Complementary products



BLH70

Right angled gearbox, from 26 to 128 Nm



BLHT70

Right angled gearbox, from 26 to 128 Nm