

# Stainless steel miniature indexing button

BIM/ss

For reduced spaces

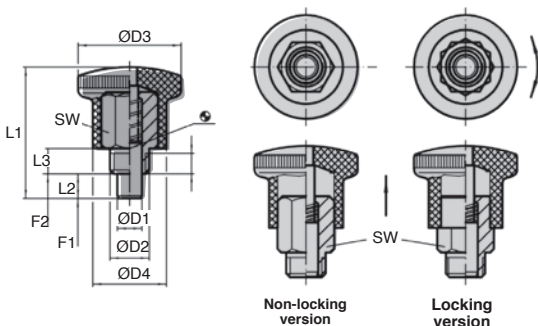
- Particularly suitable for screwing into thin-walled parts.
- Works well in reduced spaces
- Non-removable button
- Materials:
  - Head - 304 stainless steel
  - Body - 304 stainless steel
  - Pin - 303 stainless steel

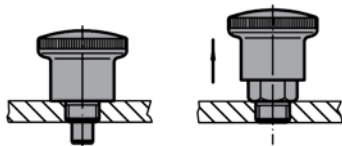
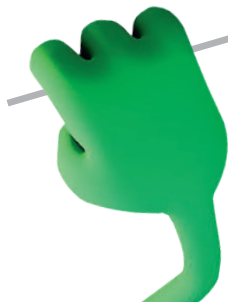
## Assembly

- Screw in as far as possible, then pull on the button to reveal the hexagonal nut for final assembly.

## Operation

- For the locking version, the button is pulled and then turned 90°C where it is retained in a notch.
- Max working temperature 250°C.





## DISCOUNTS

Qty	1+	6+	20+
Disc	List	-10%	On request

Part number	ØD1	ØD2	L1	ØD3	Ød4	L2	L3	SW	F1 (N)	F2 (N)	Weight (g)	Price each 1 to 5
<b>Non-locking version</b>												
BIM4-8-27.5/SS	4	M8	27,5	21,0	15	5	6	10	4	12	28	19,92 €
BIM4-8F-27.5/SS	4	M8x1	27,5	21,0	15	5	6	10	4	12	28	19,92 €
BIM5-10-34/SS	5	M10	34	25,0	18	6	8	12	6	16	49	22,27 €
BIM5-10F-34/SS	5	M10x1	34	25,0	18	6	8	12	6	16	50	22,27 €
BIM6-10-34/SS	6	M10	34	25,0	18	6	8	12	6	16	50	22,27 €
BIM6-10F-34/SS	6	M10x1	34	25,0	18	6	8	12	6	16	50	22,27 €
BIM6-12-40.5/SS	6	M12	40,5	28,0	20	7	10	14	10	23	74	27,19 €
BIM6-12F-40.5/SS	6	M12x1,5	40,5	28,0	20	7	10	14	10	23	75	27,19 €
BIM7-12-40.5/SS	7	M12	40,5	28,0	20	7	10	14	10	23	75	26,74 €
BIM7-12F-40.5/SS	7	M12x1,5	40,5	28,0	20	7	10	14	10	23	75	26,74 €
BIM8-16-47.5/SS	8	M16	47,5	33,0	23	10	12	17	11	34	110	33,57 €
BIM8-16F-47.5/SS	8	M16x1,5	47,5	33,0	23	10	12	17	11	35	113	33,57 €
BIM10-16-47.5/SS	10	M16	47,5	33,0	23	10	12	17	11	35	113	33,57 €
BIM10-16F-47.5/SS	10	M16x1,5	47,5	33,0	23	10	12	17	11	35	113	33,57 €
<b>Locking version</b>												
BIM4-8-27.5/LOK/SS	4	M8	27,5	21,0	15	5	6	10	4	12	27	19,92 €
BIM4-8F-27.5/LOK/SS	4	M8x1	27,5	21,0	15	5	6	10	4	12	28	19,92 €
BIM5-10-34/LOK/SS	5	M10	34	25,0	18	6	8	12	6	16	48	22,27 €
BIM5-10F-34/LOK/SS	5	M10x1	34	25,0	18	6	8	12	6	16	49	22,27 €
BIM6-10-34/LOK/SS	6	M10	34	25,0	18	6	8	12	6	16	49	22,40 €
BIM6-10F-34/LOK/SS	6	M10x1	34	25,0	18	6	8	12	6	16	49	22,40 €
BIM6-12-40.5/LOK/SS	6	M12	40,5	28,0	20	7	10	14	10	23	72	27,19 €
BIM6-12F-40.5/LOK/SS	6	M12x1,5	40,5	28,0	20	7	10	14	10	23	73	27,19 €
BIM7-12-40.5/LOK/SS	7	M12	40,5	28,0	20	7	10	14	10	23	73	26,74 €
BIM7-12F-40.5/LOK/SS	7	M12x1,5	40,5	28,0	20	7	10	14	10	23	74	26,74 €
BIM8-16-47.5/LOK/SS	8	M16	47,5	33,0	23	10	12	17	11	35	110	33,57 €
BIM8-16F-47.5/LOK/SS	8	M16x1,5	47,5	33,0	23	10	12	17	11	35	110	33,57 €
BIM10-16-47.5/LOK/SS	10	M16	47,5	33,0	23	10	12	17	11	35	112	33,57 €
BIM10-16F-47.5/LOK/SS	10	M16x1,5	47,5	33,0	23	10	12	17	11	35	114	33,57 €

All dimensions in mm

0 825 88 6000

Service 0,15 € / min  
+ prix appel

Fax

cial2@hpceurope.com

HPC

SUPPLEMENT 2019

67

## Our other products



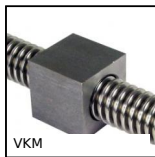
Suction cup threaded insert, Adaptor for insert



Spring loaded latch, Spring return latch - steel



Straight track for slat top chain, Ranges 880 and 881



Square steel nut, Steel - 1 thread



Male rod ends, Stainless steel / PTFE



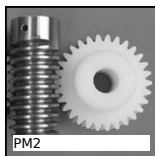
Optional output shaft stainless steel, P gearboxes single sided out...



Accessories, Plate



Indexing plunger with cam, with cam



Worm and wheel set, Machined plastic



Dowel pin, Solid DIN 6325



Joining plate for aluminium profile,



Worm and wheel set, Hardened steel

## Complementary products



Indexing plunger mini, miniature



Indexing plunger, weldable, Weldable - Stainless steel



Indexing plunger with flange, with drilled flange



Indexing plunger for sheets, For sheet metal