

# Stainless steel miniature indexing button

BIM/ss

For reduced spaces

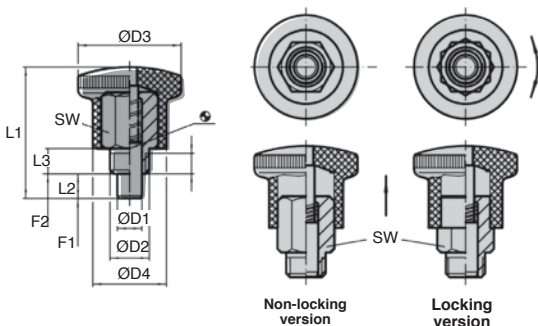
- Particularly suitable for screwing into thin-walled parts.
- Works well in reduced spaces
- Non-removable button
- Materials:
  - Head - 304 stainless steel
  - Body - 304 stainless steel
  - Pin - 303 stainless steel

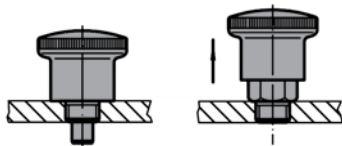
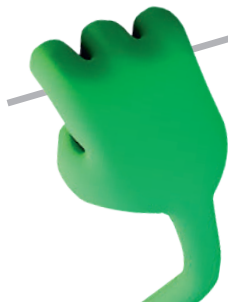
## Assembly

- Screw in as far as possible, then pull on the button to reveal the hexagonal nut for final assembly.

## Operation

- For the locking version, the button is pulled and then turned 90°C where it is retained in a notch.
- Max working temperature 250°C.





## DISCOUNTS

Qty	1+	6+	20+
Disc	List	-10%	On request

Part number	ØD1	ØD2	L1	ØD3	Ød4	L2	L3	SW	F1 (N)	F2 (N)	Weight (g)	Price each 1 to 5
<b>Non-locking version</b>												
BIM4-8-27.5/SS	4	M8	27,5	21,0	15	5	6	10	4	12	28	19,92 €
BIM4-8F-27.5/SS	4	M8x1	27,5	21,0	15	5	6	10	4	12	28	19,92 €
BIM5-10-34/SS	5	M10	34	25,0	18	6	8	12	6	16	49	22,27 €
BIM5-10F-34/SS	5	M10x1	34	25,0	18	6	8	12	6	16	50	22,27 €
BIM6-10-34/SS	6	M10	34	25,0	18	6	8	12	6	16	50	22,27 €
BIM6-10F-34/SS	6	M10x1	34	25,0	18	6	8	12	6	16	50	22,27 €
BIM6-12-40.5/SS	6	M12	40,5	28,0	20	7	10	14	10	23	74	27,19 €
BIM6-12F-40.5/SS	6	M12x1,5	40,5	28,0	20	7	10	14	10	23	75	27,19 €
BIM7-12-40.5/SS	7	M12	40,5	28,0	20	7	10	14	10	23	75	26,74 €
BIM7-12F-40.5/SS	7	M12x1,5	40,5	28,0	20	7	10	14	10	23	75	26,74 €
BIM8-16-47.5/SS	8	M16	47,5	33,0	23	10	12	17	11	34	110	33,57 €
BIM8-16F-47.5/SS	8	M16x1,5	47,5	33,0	23	10	12	17	11	35	113	33,57 €
BIM10-16-47.5/SS	10	M16	47,5	33,0	23	10	12	17	11	35	113	33,57 €
BIM10-16F-47.5/SS	10	M16x1,5	47,5	33,0	23	10	12	17	11	35	113	33,57 €
<b>Locking version</b>												
BIM4-8-27.5/LOK/SS	4	M8	27,5	21,0	15	5	6	10	4	12	27	19,92 €
BIM4-8F-27.5/LOK/SS	4	M8x1	27,5	21,0	15	5	6	10	4	12	28	19,92 €
BIM5-10-34/LOK/SS	5	M10	34	25,0	18	6	8	12	6	16	48	22,27 €
BIM5-10F-34/LOK/SS	5	M10x1	34	25,0	18	6	8	12	6	16	49	22,27 €
BIM6-10-34/LOK/SS	6	M10	34	25,0	18	6	8	12	6	16	49	22,40 €
BIM6-10F-34/LOK/SS	6	M10x1	34	25,0	18	6	8	12	6	16	49	22,40 €
BIM6-12-40.5/LOK/SS	6	M12	40,5	28,0	20	7	10	14	10	23	72	27,19 €
BIM6-12F-40.5/LOK/SS	6	M12x1,5	40,5	28,0	20	7	10	14	10	23	73	27,19 €
BIM7-12-40.5/LOK/SS	7	M12	40,5	28,0	20	7	10	14	10	23	73	26,74 €
BIM7-12F-40.5/LOK/SS	7	M12x1,5	40,5	28,0	20	7	10	14	10	23	74	26,74 €
BIM8-16-47.5/LOK/SS	8	M16	47,5	33,0	23	10	12	17	11	35	110	33,57 €
BIM8-16F-47.5/LOK/SS	8	M16x1,5	47,5	33,0	23	10	12	17	11	35	110	33,57 €
BIM10-16-47.5/LOK/SS	10	M16	47,5	33,0	23	10	12	17	11	35	112	33,57 €
BIM10-16F-47.5/LOK/SS	10	M16x1,5	47,5	33,0	23	10	12	17	11	35	114	33,57 €

All dimensions in mm

0 825 88 6000

Service 0,15 € / min  
+ prix appel

Fax

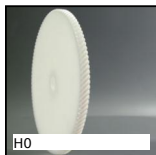
cial2@hpceurope.com

HPC

SUPPLEMENT 2019

67

## Our other products



HO

Crossed helical gear  
crossed axis at 90°,  
Machined plastic  
(delrin)



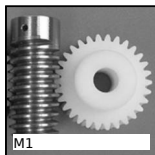
VTH

Hexagonal headed  
bolts, Steel class 8.8



BPHRF

Ball transfer unit  
housed spring loaded,  
High



M1

Worm and wheel set,  
Machined plastic  
(delrin)



BPLE

Ball transfer unit push  
fit, Light



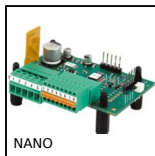
Q1

Self-aligning radial  
ball bearing, Steel



PPS

Lifting ring, Universal  
threaded



NANO

Speed controller 3A, 3  
A



PSG08HC

Skive hobbed spur  
gears - precision  
range, Case hardened  
steel 20NCD2



T10\_21\_AL

T type timing pulley,  
Economy range - T10  
aluminium



DCG

Suction cup, 2.5  
bellows, nitrile



FBL6000\_K1

Brush strip per meter  
PA6 fibres Ø0.2 to  
Ø0.3, Black polyamide  
6 ...

## Complementary products



BIM

Indexing plunger mini,  
miniature



SLBW

Indexing plunger,  
weldable, Weldable -  
Steel



PPD

Indexing plunger for  
sheets, For sheet  
metal



PPF

Indexing plunger with  
flange, with drilled  
flange