

Locking pin for bushes

BFD

Fast and light spring locking

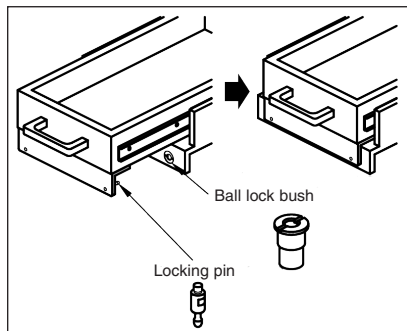
- **Holding and centering pin**
- Locking element
- Materials:
 - Natural finish steel
- Temperature range: +180°C

Info

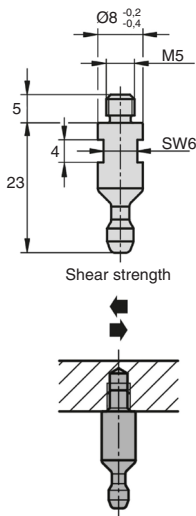
- Repeatability +/-0.25mm

Accessory

- Mounting pin BFD8-DLL



Example of use :
Attachment of a sliding unit



DISCOUNTS

Qty	1+	4+	8+
Disc. Price		-5%	On request

Part N°	Shear strength (kN)	Price per unit 1 to 3
BFD8-23	1.8	4,70 €

Dimensions in mm

HPC

WEB
04/2021

www.hpceurope.com

Tél: 0 825 88 5000 Service 0,15€/min + prix appel

Ball lock bushes

Fast and light spring locking

BFDLL

- **Locking element to be associated with the BFD locking pin.**
- The 3 balls inside the bush hold the locking pin with the specified retaining force.
- **Materials:**
Housing and locking element nickel-plated steel
Ball: hardened stainless steel
Spring: stainless steel
- Working temperature: up to 180 °C

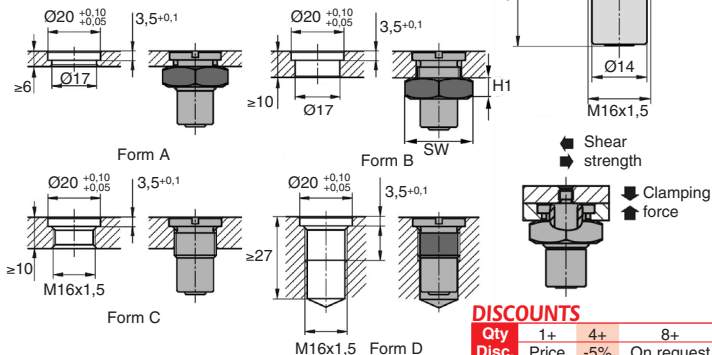


Assembly

- Form A: min. plate thickness 6 mm.
- Form B: max. plate thickness 10 mm.
- Form C: plate thickness > 10 mm.
- Form D: blind hole.

Accessories

- Locking pin for bushes BFD8-23



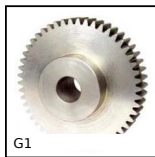
DISCOUNTS

Qty	1+	4+	8+
Disc. Price		-5%	On request

Part N°	Clamping force (N)	Shearing force (kN)	H1 SW		Price per unit 1 to 3
			H1	SW	
BFD8-7/DLL	7	1.8	-	-	30,00 €
BFD8-15/DLL	15	1.8	-	-	30,00 €
DLL-M16-EC	Nut for BFD8		8	24	0,69 €
DLL-M16-TOOL	Assembly tool				20,81 €

Dimensions in mm

Our other products



G1

Steel spur gear, Steel
20NCD2



RFK38B

Hypoid gearbox -
Stainless steel, up to
200 Nm



MLY_SS

Stainless steel bow
shackle with eye bolt,
Stainless steel



CPAS

Stay with safety
catch, Opens upward



CHMX_CHMDX

Shaft for worm and
wheel reducer CHMR
and CHM, CHMR and
CHM gearbox...



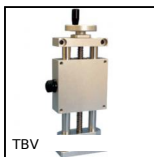
GSI

Stainless steel gas
spring, Stainless steel



VELprf

Clip-on base for hook-
and-loop strip,
Polyamide



TBV

Manual lifting tables,
12kg



AC

Strike for toggle latch,
20mm



LRR

Spring loaded latch,
Spring loaded latch



RHTplss

High Temperature
Castor, up to 200kg



KITdog

24V DC motorisation
kit, Worm and wheel

Complementary products



BFDdl1

Locking pin for
bushes, Nickel-plated
steel