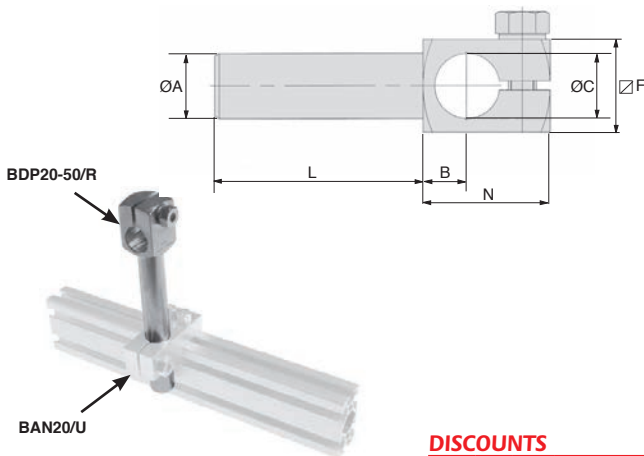


- **Universal support arm**
- **Material :**
Aluminium with steel screws

Advantages

- **Reliable operation**
- **Flexible mounting**



Typical application

DISCOUNTS

Qty	1+	10+	30+
Disc. List	-5%	On request	

Part number	ØA	B	ØC	L	∅F	N	Weight (g)	Price each 1 to 9
BDP20-50/R	20	15	20	50	25	35	61	36,48 €
BDP20-100/R	20	15	20	100	25	35	80	44,62 €
BDP20-150/R	20	15	20	150	25	35	95	46,82 €
BDP30-200/R	30	17	30	200	35	42	95	57,49 €

Dimensions in mm

Our other products



SH2

Parallel axis helical gear, Machined plastic (delrin)



INS_SS

Self tapping stainless steel insert, Stainless steel



PW_PWG1

Worm - precision range, Stainless steel



QTR

Tapered roller bearing, Steel



TIFss

Threaded stud - DIN976A, Stainless steel



OP3

Mechanical digital position indicator, 4 numbers



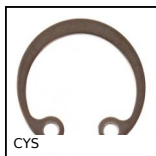
SBF

Sealed flange bearing unit for Food Industry, cover



BLH30

Right angled gearbox, from 1.32 to 4.40 Nm



CYS

Internal circlip DIN972, internal DIN



PTAF80-PAMF80

Articulated fixable foot with pressed



PSG15S

Spur gear - precision range, Stainless steel



MEP

Revolving handle for handwheel, Fixed

Complementary products



BDP1R

Adjustable support arm, Single clamp



BDP2R

Adjustable support arm, Increased grip