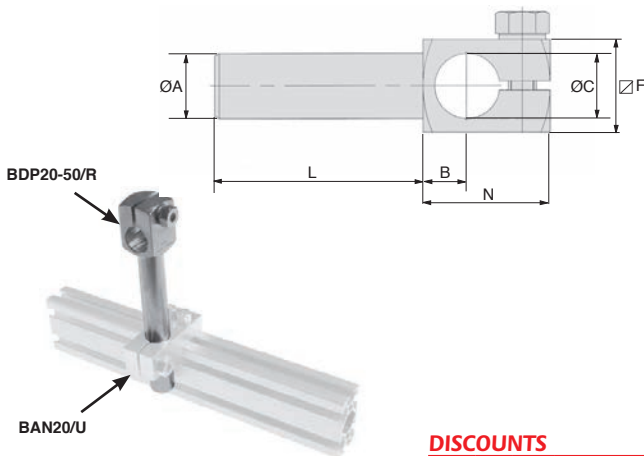


- **Universal support arm**
- **Material :**
Aluminium with steel screws

Advantages

- **Reliable operation**
- **Flexible mounting**



Typical application

DISCOUNTS

Qty	1+	10+	30+
Disc. List	-5%	On request	

Part number	ØA	B	ØC	L	∅F	N	Weight (g)	Price each 1 to 9
BDP20-50/R	20	15	20	50	25	35	61	36,48 €
BDP20-100/R	20	15	20	100	25	35	80	44,62 €
BDP20-150/R	20	15	20	150	25	35	95	46,82 €
BDP30-200/R	30	17	30	200	35	42	95	57,49 €

Dimensions in mm

Our other products



P40

Worm and wheel gear reducer, up to 18 Nm



HTD8M-BAR

HTD type tooth bar stock, HTD8



CHAGC-AL

Screw-in garnet hinge, Screw-on



UTKswcr

Utilitrak® 3 wheels carriage, Steel roller carriage



RAGFLOWsupport

Floway2® Roller track accessory, Roller track support



SNG

Stainless/Polymer pillow block bearing, Cast iron - Split pillow



SHS

Shoulder screw stainless steel 303, Stainless steel 303



MAX26

Motor-gearbox 12V and 24V DC, from 0,075 to 0,6Nm



RJA00_28

Sealing strip, Clipping



PCLA_T

Technopolymer clamping lever - male, Plastic



CLR

Straight clevis, Straight clevis for use with a male clevis



RTK

BoWex® curved tooth gear coupling, Nylon and steel

Complementary products



BDP1R

Adjustable support arm, Single clamp



BDP2R

Adjustable support arm, Increased grip