

Self-locking lifting pin for threaded hole New

BABAM

Self-locking

- **Self-locking lifting pin for threaded hole**
- Quick, simple and robust use as a lifting element with a moving shackle secured against accidental unlocking.
- Working temperature range: 250°C
- Materials:
 - Axle and shackle: Tempered steel, manganese phosphating
 - Push button: Aluminium, orange anodised
 - Threaded elements: Stainless steel 630 hardened
 - Spring: Stainless steel

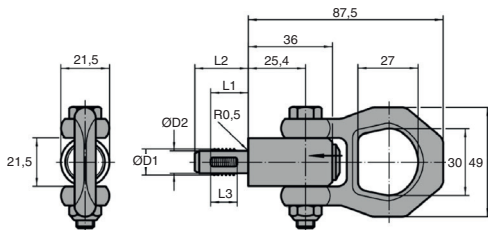
Operations

- Press the button to unlock the threaded elements.
- Insert the lifting pin into a threaded hole to lift loads.

Advantage

- Unlike a ring with a thread, no time is wasted screwing and unscrewing

NEW



Part number	ØD1	L1	ØD2 -0,07	L2	L3
BAB10-14/AM	M10	14	8,35	20	10
BAB12-17/AM	M12	17	10,07	24	12
BAB16-17/AM	M16	17	13,8	24	12

*Dimensions in mm

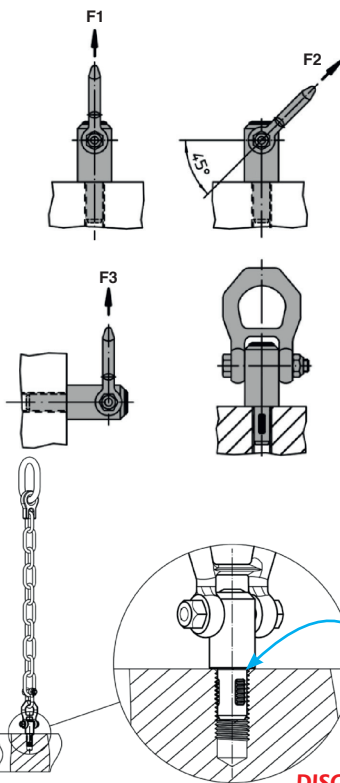
HPC

WEB
04/2021

www.hpceurope.com

Tél: **0 825 88 5000** Service 0,15 €/min + prix appel

BABAM



DISCOUNTS

Qty	1+	3+	6+
Disc.	Price	-5%	On request

Références	Load capacity ⁽¹⁾			Weight (g)	Price each 1 to 2
	F1	F2	F3		
BAB10-14/AM	3,9	1,5	1,5	218	265,93 €
BAB12-17/AM	6,2	2,5	2,3	220	272,72 €
BAB16-17/AM	8,4	4,5	4,2	223	279,51 €

*Depending on availability

⁽¹⁾For a fracture safety coefficient of 5

Our other products



CDP
Flanged drill bushing,
Steel



DILC
Indexing plunger with
cam, with cam



NDS14C
Angular connector,
Universal angular
connector



GDR880
Straight track for slat
top chain, Ranges 880
and 881



GCT
Pipe linch pin, Tube
linch pin



HTD5M-BAR
HTD type tooth bar
stock, HTD5



SERB
Cam latch, Cam latch



PFM
Fixed levelling foot,
Flanged plate



CHAsb89
Hinge without pin,
Plastic hinge



BABS303
303 Stainless steel
compact ball pin,
Stainless steel 303



SCR
Suction cup threaded
insert, Adaptor for
insert



BPM-Z
Plastic slotted spring
plunger with ball tip,
Plastic body +
stainless...

Complementary products



BABA
Ball pin lifting ring,
Steel