

Self-locking lifting pin for threaded hole New

BABAM

Self-locking

- **Self-locking lifting pin for threaded hole**
- Quick, simple and robust use as a lifting element with a moving shackle secured against accidental unlocking.
- Working temperature range: 250°C
- Materials:
 - Axle and shackle: Tempered steel, manganese phosphating
 - Push button: Aluminium, orange anodised
 - Threaded elements: Stainless steel 630 hardened
 - Spring: Stainless steel

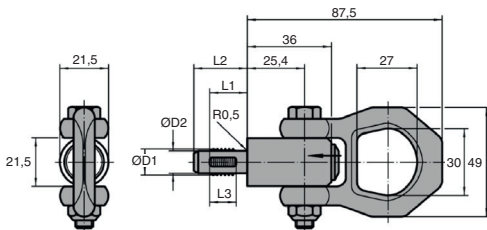
Operations

- Press the button to unlock the threaded elements.
- Insert the lifting pin into a threaded hole to lift loads.

Advantage

- Unlike a ring with a thread, no time is wasted screwing and unscrewing

NEW



Part number	ØD1	L1	ØD2 -0,07	L2	L3
BAB10-14/AM	M10	14	8,35	20	10
BAB12-17/AM	M12	17	10,07	24	12
BAB16-17/AM	M16	17	13,8	24	12

*Dimensions in mm

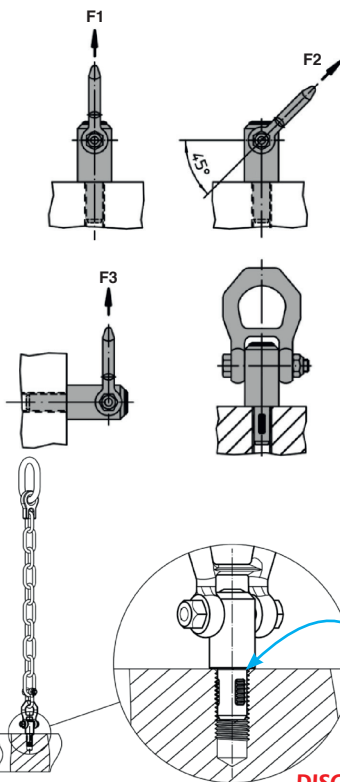
HPC

WEB
04/2021

www.hpceurope.com

Tél: **0 825 88 5000** Service 0,15 €/min + prix appel

BABAM



△ Essential:
Make sure
it bears
completely on
the surface

DISCOUNTS

Qty	1+	3+	6+
Disc.	Price	-5%	On request

Références	Load capacity ⁽¹⁾ (kN)			Weight (g)	Price each 1 to 2
	F1	F2	F3		
BAB10-14/AM	3,9	1,5	1,5	218	265,93 €
BAB12-17/AM	6,2	2,5	2,3	220	272,72 €
BAB16-17/AM	8,4	4,5	4,2	223	279,51 €

*Depending on availability

⁽¹⁾For a fracture safety coefficient of 5

Fax: 0 825 88 6000 Service 0,15€/mln + prix appel

cial2@hpceurope.com

WEB
04/2021

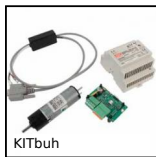
HPC

Our other products



PITA

Locking bolt, with T handle



KITbuh

24V DC motorisation kit, Planetary gears



BSB

Ball screw bearing unit, Support



PTA80

Articulated levelling foot, pressed base Ø80, Ø 80



DB

Steel bevel gear, 2:1



S4

Chain sprocket-stainless steel, 4mm



DCG

Suction cup, 2.5 bellows, natural rubber



BFM2

Flanged bronze nut, Bronze - 2 threads



NTMbr

Set screw brass tip, Brass-point



RHTplss

High Temperature Castor, up to 200kg



GG2

Ground spur gear, Heat treated steel



BCM_TP

Modular cylindrical brush, Tampico bristles

Complementary products



BABA

Ball pin lifting ring, Steel