

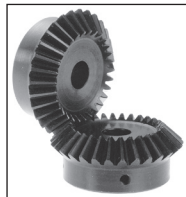
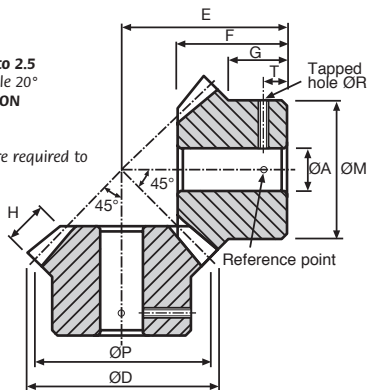
Steel bevel gear



Ratio 1:1

Steel 60C40

- Module 0.8 to 2.5
- Pressure angle 20°
- Teeth: **GLEASON**
- Material:
Steel 60C40
- Two gears are required to make a pair



N.B. Torque ratings can be doubled by heat treatment

TORQUE AND POWER INDICATION	For 20 teeth at 1000 rpm					
	2.5 MOD	2.0 MOD	1.5 MOD	1.25 MOD	1.0 MOD	0.8 MOD
Torque (Nm)	4.30	2.20	0.94	0.71	0.57	0.14
Power (kW)	0.455	0.231	0.097	0.08	0.03	0.015

DISCOUNTS

Qty	1+	6+	20+	50+
Disc.	List	-5%	-10%	On request

Part number	Teeth		Screw										Price each 1 to 5	
	Z	Mod	ØP	E	ØD	ØA	ØM	F	G	H	R	T		Stock*
B0.8-16	16	0,8	12,80	20	13,93	6	10	16,00	12,2	3,00	M3	7	✓	30,98 €
B0.8-20	20		16,00	20	17,13	6	13	14,76	10,5	3,40	M3	6	✓	32,41 €
B0.8-25	25		20,00	20	21,13	6	16	13,35	8,0	4,24	M3	5	✓	33,62 €
B0.8-30	30	1,0	24,00	20	25,13	6	20	11,96	6,0	5,09	M3	4	✓	36,34 €
B1-20	20		20,00	25	21,41	8	18	18,45	14,0	4,24	M4	8	✓	37,02 €
B1-25	25		25,00	25	26,41	8	22	16,68	10,8	5,28	M4	6	✓	39,48 €
B1-30	30	1,25	30,00	25	31,41	8	26	14,95	8,0	6,35	M4	5	✓	42,12 €
B1.25-20	20		25,00	23	26,70	8	22	15,27	9,0	6,00	M4	3	✓	38,88 €
B1.25-25	25		31,25	28	33,00	8	25	17,87	9,2	7,00	M4	3	✓	43,75 €
B1.25-30	30	1,5	37,50	36	39,30	10	30	23,47	13,5	8,00	M4	5	-	44,10 €
B1.5-20	20		30,00	35	32,12	10	26	25,17	18,0	6,35	M4	10	✓	40,11 €
B1.5-25	25		37,50	35	39,62	10	32	22,57	13,5	8,00	M4	7	✓	46,58 €
B1.5-30	30	2,0	45,00	35	47,12	10	38	19,92	9,0	9,50	M4	5	✓	49,40 €
B2-20	20		40,00	42	43,00	12	34	29,00	19,0	8,50	M5	10	✓	46,97 €
B2-25	25		50,00	42	52,83	12	40	25,52	12,0	10,60	M5	7	✓	52,43 €
B2-30	30	2,5	60,00	42	63,00	12	50	21,87	7,0	12,70	M5	4	✓	58,83 €
B2.5-16	16		40,00	50	43,50	15	35	36,80	27,5	8,00	M5	15	✓	48,03 €
B2.5-20	20		50,00	50	54,00	15	40	33,50	20,0	10,60	M5	12	✓	59,87 €
B2.5-25	25	62,50	50	66,00	15	55	30,50	15,0	15,00	M5	8	✓	68,06 €	

*Depending on availability - Dimensions in mm

Our other products



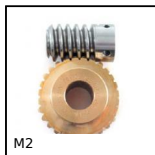
GSA_A
Adjustable gas spring,
Steel



PW_PWG15
Wheel - precision
range, Bronze



ACLEPP
Right angled bracket
for aluminium profile,
4 holes



M2
Worm and wheel set,
Bronze



EFTC
Fixing support,
Stainless steel



MSP19
Masterplate®
glueable insert
Ø19/Ø20, Cylindrical
with nut



MHX
Hexagonal threaded
sleeve, Hexagonal -
stainless steel



PSG15S
Spur gear - precision
range, Stainless steel
303



CM_CO
Tools Hygienic Usit®
and Hygienic
Design®, Protective
inserts for ...



TSM_T10M
T type timing belt per
metre, T10 Steel
cored polyurethane



EBC
Cap nut Hygienic
Design®, Compact



RBNTc
Swivel castor with
central hole, Steel -
rubber - with double
brake

Complementary products



SSB
Stainless steel bevel
gear, 1:1



MEB
Moulded plastic bevel
gear (nylon), 1:1



BLH30
Right angled gearbox,
from 1.32 to 4.40 Nm