

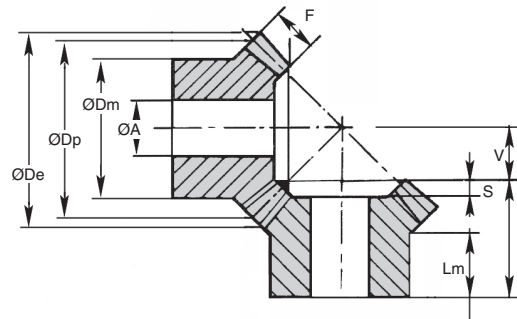
## Ratio 1:1 Steel C43



- Module 1.5 to 5
- Teeth conform to DIN 3967 except for Module 1 models which are Gleason
- Pressure angle: 20°
- Material: steel C43
- A pair requires 2 gears

### Info.

- \*\*Pilot bore dimensions given as a guide only and are subject to change.



### DISCOUNTS

Qty	1+	4+	10+
Disc.	List	-5%	On request

Part number	Teeth Z	mod	ØD <sub>p</sub>	ØD <sub>e</sub>	F	L	ØD <sub>m</sub>	Pilot bore not guaranteed ØA**	V	S	Lm	Stock*	Price each 1 to 3
B1-16/ECO	16		16	17.4	4.0	11.2	13.3	4	4.80	-	6.5	-	17.17 €
B1-19/ECO	19		19	20.4	4.0	11.8	15.3	4	6.20	-	6.5	-	17.62 €
B1-22/ECO	22	1	22	23.4	4.7	12.8	16.3	5	7.20	-	6.5	-	19.77 €
B1-26/ECO	26		26	27.4	5.5	13.3	20.3	5	8.70	-	7.0	-	22.06 €
B1-30/ECO	30		30	31.4	6.4	16.0	20.3	5	10.0	-	8.0	-	25.48 €
B1.5-16/ECO	16		24	26.12	6.0	18.9	20.3	8	7.10	-	12.0	✓	17.91 €
B1.5-20/ECO	20		30	32.12	10.0	20.0	22.0	10	7.40	2.0	8.5	✓	21.63 €
B1.5-25/ECO	25	1.5	37	39.62	10.0	23.0	28.0	10	11.09	2.0	12.0	✓	25.81 €
B1.5-30/ECO	30		45	47.12	12.0	25.0	30.0	12	13.35	2.5	12.0	✓	31.21 €
B2-16/ECO	16		32	34.83	8.0	23.5	25.3	8	9.50	-	14.0	✓	21.17 €
B2-20/ECO	20		40	42.83	12.0	25.0	32.0	10	10.78	3.0	12.0	✓	26.34 €
B2-25/ECO	25	2	50	52.82	14.0	28.0	40.0	12	14.28	3.0	12.3	✓	42.17 €
B2-30/ECO	30		60	62.83	16.0	30.0	50.0	12	17.78	3.0	12.8	✓	50.75 €
B2.5-16/ECO	16		40.0	43.53	10.0	28.1	30.3	12	11.90	-	15.0	✓	32.18 €
B2.5-20/ECO	20		50.0	53.53	12.0	30.5	40.0	12	15.43	3.5	16.0	-	42.17 €
B2.5-25/ECO	25	2.5	62.5	66.00	15.0	33.5	50.0	15	19.48	3.5	16.0	✓	51.40 €
B2.5-30/ECO	30		75.0	78.53	18.0	35.5	55.0	15	23.63	3.5	16.0	✓	60.65 €
B3-16/ECO	16		48.0	52.25	12.0	31.7	40.3	12	14.30	-	18.0	✓	37.69 €
B3-20/ECO	20		60.0	64.24	18.0	35.0	45.0	15	16.00	4.0	13.6	✓	46.84 €
B3-25/ECO	25	3	75.0	79.24	20.0	38.0	55.0	15	22.00	4.0	16.0	✓	56.57 €
B3-30/ECO	30		90.0	94.24	22.0	40.0	60.0	20	28.00	4.0	17.0	✓	68.38 €

\*Depending on availability - Dimensions in mm

### DISCOUNTS

Qty	1+	4+	10+
Disc.	List	-5%	On request

Part number	Teeth Z	mod	ØD <sub>p</sub>	ØD <sub>e</sub>	F	L	ØD <sub>m</sub>	Pilot bore not guaranteed ØA**	V	S	Lm	Stock*	Price each 1 to 3
B3.5-16/ECO	16		56.0	60.95	14.0	36.4	45.3	16	16.60	-	20.0	✓	42.12 €
B3.5-20/ECO	20	3.5	70.0	74.95	22.0	40.5	55.0	15	18.13	4.5	17.0	-	51.32 €
B3.5-25/ECO	25		87.5	92.45	26.0	43.5	65.0	20	23.97	4.5	18.0	-	72.05 €
B3.5-30/ECO	30		105.0	109.95	30.0	48.0	70.0	20	30.02	4.5	19.0	-	84.01 €
B4-16/ECO	16		64.0	69.65	15.0	44.3	50.3	16	19.70	-	25.0	✓	49.43 €
B4-20/ECO	20		80.0	85.65	25.0	43.0	60.0	18	20.74	5.0	18.0	✓	61.47 €
B4-25/ECO	25	4	100.0	105.65	28.0	45.0	70.0	20	28.50	5.0	18.0	✓	77.66 €
B4-30/ECO	30		120.0	125.65	32.0	48.0	80.0	20	35.67	5.0	16.0	-	100.40 €
B4.5-16/ECO	16		72.0	78.38	17.5	46.3	55.3	20	21.70	-	25.0	-	54.66 €
B4.5-20/ECO	20		90.0	96.38	28.0	48.0	65.0	20	23.41	6.0	18.0	-	87.09 €
B4.5-25/ECO	25	4.5	112.5	118.80	32.0	50.0	75.0	20	31.76	6.0	18.0	-	105.87 €
B4.5-30/ECO	30		135.0	141.38	35.0	53.0	90.0	20	40.82	6.0	17.0	-	128.35 €
B5-16/ECO	16		80.0	87.07	18.0	48.9	60.3	20	25.10	-	25.0	✓	59.60 €
B5-20/ECO	20		100.0	107.07	30.0	50.5	70.0	20	26.86	6.5	18.5	✓	89.49 €
B5-25/ECO	25	5	125.0	132.07	34.0	53.5	90.0	20	36.36	6.5	18.0	✓	115.16 €
B5-30/ECO	30		150.0	157.07	38.0	56.5	110.0	20	45.97	6.17	18.0	✓	144.78 €

\*Depending on availability - Dimensions in mm

## Our other products



Masterplate® glueable insert Ø38, Cylindrical Ø38 with threaded s...



T type tooth bar stock, T5



Drylin® W bearing block, Slide



Male rod ends DIN ISO12240-4, Steel / bronze



Right angled gearbox, from 0.53 to 1.77



Parallel axis helical gear, Machined plastic (delrin)



Swivel castor with plate, Steel - grey rubber



Clip for bonnet fastener, Clip



Universal fastener for aluminium profile,



Pressed stainless steel pillow block,



Manual workbench press accessory for



Female rod ends, Stainless steel / PTFE

Complementary products