

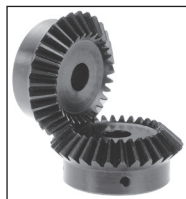
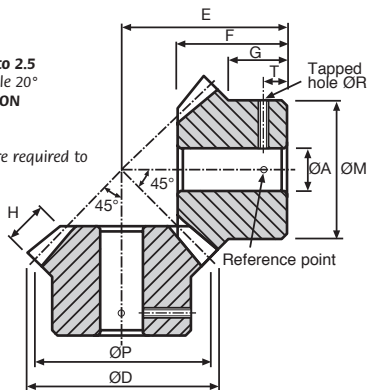
Steel bevel gear



Ratio 1:1

Steel 60C40

- Module 0.8 to 2.5
- Pressure angle 20°
- Teeth: **GLEASON**
- Material:
Steel 60C40
- Two gears are required to make a pair



N.B. Torque ratings can be doubled by heat treatment

TORQUE AND POWER INDICATION	For 20 teeth at 1000 rpm					
	2.5 MOD	2.0 MOD	1.5 MOD	1.25 MOD	1.0 MOD	0.8 MOD
Torque (Nm)	4.30	2.20	0.94	0.71	0.57	0.14
Power (kW)	0.455	0.231	0.097	0.08	0.03	0.015

DISCOUNTS

Qty	1+	6+	20+	50+
Disc.	List	-5%	-10%	On request

Part number	Teeth		Screw										Price each 1 to 5	
	Z	Mod	ØP	E	ØD	ØA	ØM	F	G	H	R	T		Stock*
B0.8-16	16	0,8	12,80	20	13,93	6	10	16,00	12,2	3,00	M3	7	✓	30,98 €
B0.8-20	20		16,00	20	17,13	6	13	14,76	10,5	3,40	M3	6	✓	32,41 €
B0.8-25	25		20,00	20	21,13	6	16	13,35	8,0	4,24	M3	5	✓	33,62 €
B0.8-30	30	1,0	24,00	20	25,13	6	20	11,96	6,0	5,09	M3	4	✓	36,34 €
B1-20	20		20,00	25	21,41	8	18	18,45	14,0	4,24	M4	8	✓	37,02 €
B1-25	25		25,00	25	26,41	8	22	16,68	10,8	5,28	M4	6	✓	39,48 €
B1-30	30	1,25	30,00	25	31,41	8	26	14,95	8,0	6,35	M4	5	✓	42,12 €
B1.25-20	20		25,00	23	26,70	8	22	15,27	9,0	6,00	M4	3	✓	38,88 €
B1.25-25	25		31,25	28	33,00	8	25	17,87	9,2	7,00	M4	3	✓	43,75 €
B1.25-30	30	1,5	37,50	36	39,30	10	30	23,47	13,5	8,00	M4	5	-	44,10 €
B1.5-20	20		30,00	35	32,12	10	26	25,17	18,0	6,35	M4	10	✓	40,11 €
B1.5-25	25		37,50	35	39,62	10	32	22,57	13,5	8,00	M4	7	✓	46,58 €
B1.5-30	30	2,0	45,00	35	47,12	10	38	19,92	9,0	9,50	M4	5	✓	49,40 €
B2-20	20		40,00	42	43,00	12	34	29,00	19,0	8,50	M5	10	✓	46,97 €
B2-25	25		50,00	42	52,83	12	40	25,52	12,0	10,60	M5	7	✓	52,43 €
B2-30	30	2,5	60,00	42	63,00	12	50	21,87	7,0	12,70	M5	4	✓	58,83 €
B2.5-16	16		40,00	50	43,50	15	35	36,80	27,5	8,00	M5	15	✓	48,03 €
B2.5-20	20		50,00	50	54,00	15	40	33,50	20,0	10,60	M5	12	✓	59,87 €
B2.5-25	25	62,50	50	66,00	15	55	30,50	15,0	15,00	M5	8	✓	68,06 €	

*Depending on availability - Dimensions in mm

Our other products



PRF_CLIP_45

Cable clip for aluminium profile, For cable chute



HCV

V-rail guidance Simple Select® system, on rail



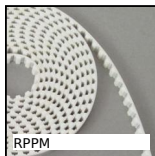
OP2

Mechanical digital position indicator, 3 numbers



RFK28C

Hypoid gearbox - Stainless steel, up to 130 Nm



RPPM

RPP type belt per metre, RPP8 Steel cored polyurethane



TSRTC

Stem support for caster, For swivel caster with central hole



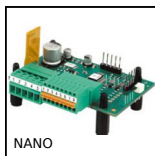
VRC2

Retaining clamp, dual sided, Dual sided



RPCplss

Fixed castor with plate, Stainless steel - Polyamide



NANO

Speed controller 3A, 3 A



UTKswr

Utilitak® V rail, V rail



CM_CO

Tools Hygienic Usit® and Hygienic



DOMI120

Connecting kits, XY linking kit

Complementary products



SSB

Stainless steel bevel gear, 1:1



MEB

Moulded plastic bevel gear (nylon), 1:1



BLH30

Right angled gearbox, from 1.32 to 4.40 Nm