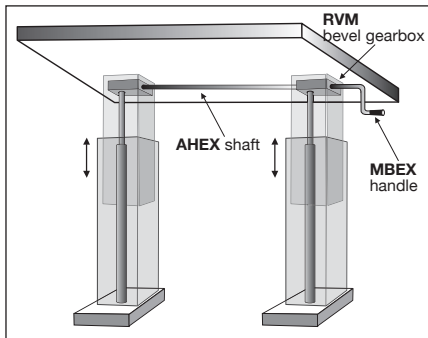
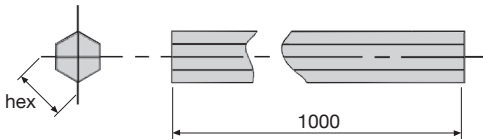


Hexagonal shaft **DIN176**

AHEX For manually operated bevel gearbox

- Hexagonal shaft for use with the RAM and RVM bevel gearbox ranges
- Cut to required length
- Material:
Steel



Typical application

DISCOUNTS

Qty	1+	10+	25+	50+
Disc.	List	-5%	-15%	On request

Part number	Profil	Length	Price each
		(mm)	1 to 9
AHEX6-1000	hex 6mm	1000	24,64 €
AHEX7-1000	hex 7mm	1000	29,36 €
AHEX9-1000	hex 9mm	1000	29,36 €

Dimensions in mm

Our other products



BAC105

Storage bin, 8mm



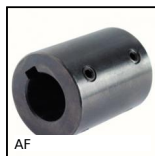
TB8

Cylindrical roller thrust bearing, Steel



P45

Worm and wheel gear reducer, up to 40 Nm



AF

Shaft clamp with keyway, Set screw



PRF_BP

Doorstop for aluminium profile, Swinging door stop



UCP_SS

Stainless steel pillow block bearing, Stainless steel



HFL

One way needle bearing, Needle bearing



H4

Crossed helical gear crossed axis at 90°, Steel 20NCD2



RBNtc

Swivel castor with central hole, Steel - rubber



ZBconique

Machined plastic bevel gear, 1:1



GBS

Nut for ballscrew, Flanged ballscrew nut



CFF_SS

Female rod ends DIN ISO12240-4, Stainless steel / bronze - Economy r...

Complementary products



RAM30

Manual bevel gearbox, Bevel



RVM14

Manual worm and wheel gearbox, Worm/wheel



RVM25

Manually operated gearbox, Bevel



RAM35

Manual bevel gearbox, Bevel