

Locking pin with interlocking safety latch

Steel

AFSE

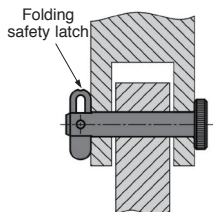
- Allows easy and quick location of parts or workpieces requiring assembly

- Material:

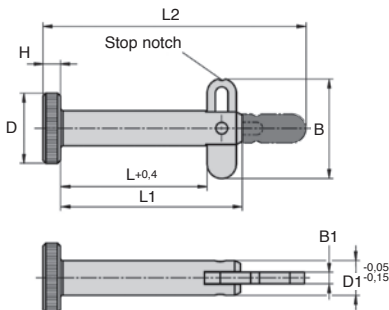
Galvanized steel

Advantages

- The interlocking safety latch allows components with a large cross sectional area to be secured together
- In addition they absorb any axial movement
- Indexing slots in the safety latch are used to locate the "Closed" and "Open" position



Typical application



DISCOUNTS

| | | | | |
|-------|------|-----|------|------------|
| Qty | 1+ | 6+ | 10+ | 25+ |
| Disc. | List | -5% | -10% | On request |

| Part number | ØD | ØD1 | L | L1 | L2 | H | B | B1 | Mounting hole H11 | Shearing force | | Price each 1 to 5 |
|-------------|----|-----|----|----|----|---|------|----|-------------------|-------------------------|----------------------|-------------------|
| | | | | | | | | | | double section max (kN) | Extraction force (N) | |
| AFSE6-25 | 12 | 6 | 25 | 31 | 45 | 3 | 16,9 | 2 | 6 | 12 | 190 | 15,42 € |
| AFSE6-40 | 12 | 6 | 40 | 46 | 60 | 3 | 16,9 | 2 | 6 | 12 | 190 | 15,75 € |
| AFSE6-50 | 12 | 6 | 50 | 56 | 70 | 3 | 16,9 | 2 | 6 | 12 | 190 | 16,23 € |
| AFSE8-25 | 16 | 8 | 25 | 31 | 46 | 4 | 16,9 | 2 | 8 | 21 | 270 | 16,23 € |
| AFSE8-40 | 16 | 8 | 40 | 46 | 61 | 4 | 16,9 | 2 | 8 | 21 | 270 | 16,71 € |
| AFSE8-50 | 16 | 8 | 50 | 56 | 71 | 4 | 16,9 | 2 | 8 | 21 | 270 | 17,01 € |

Dimensions in mm

Fax **0 825 88 6000**
Service 0,15 € / min
+ prix appel

Our other products



SSBRA
Stainless steel bevel gear, 1:1



E60
Right angle helical reducers, from 4.50 to 62 Nm



PM4
Worm and wheel set, Hardened steel



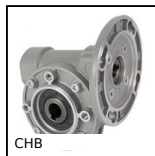
TBEBASE
Base plate for economic mini-table, Allows X-Y cross tables



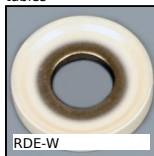
D-PAR_SS
Stainless steel elastomeric mount, stainless steel



MSP38
Masterplate® glueable insert Ø38, Cylindrical Ø38 with tapped ins...



CHB
Worm and wheel gear reducer, up to 73 Nm



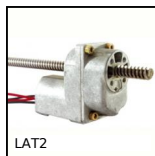
RDE-W
Sealing washer Hygienic Usit®, Stainless steel - White EPDM



HW_HT
Half-rail guide, Wheel



MSP23
Masterplate® glueable insert Ø23, stainless steel



LAT2
2A motorised linear actuator, 2 amperes



T10-BAR
T type tooth bar stock, T10

Complementary products



BAB
Hardened Stainless steel ball pin, Stainless steel hardened



BABS
630 Stainless steel compact ball pin, Hardened stainless steel



BABT
Hardened Stainless steel ball pin, Hardened stainless steel



BABreglable
Adjustable ball pin hardened stainless steel, adjustable