

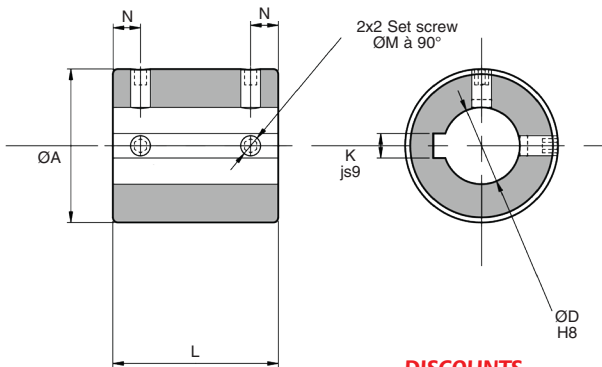
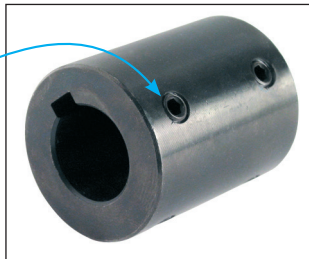
# Rigid coupling with keyway

## AF

## Set screw fixing

- With keyway
- Material:  
Steel

Set screw



### DISCOUNTS

| Qty   | 1+   | 6+   | 20+  | 40+        |
|-------|------|------|------|------------|
| Disc. | List | -15% | -20% | On request |

| Part number | $\varnothing D$ | Keyway<br>K | $\varnothing A$ | L  | Set<br>screw<br>$\varnothing M$ | N  | Stock* | Price<br>each<br>1 à 5 |
|-------------|-----------------|-------------|-----------------|----|---------------------------------|----|--------|------------------------|
| AF10        | 10              | 3           | 20              | 30 | M4                              | 6  | ✓      | 86,14 €                |
| AF12        | 12              | 4           | 28              | 36 | M5                              | 7  | ✓      | 86,14 €                |
| AF15        | 15              | 5           | 28              | 36 | M5                              | 8  | ✓      | 86,14 €                |
| AF20        | 20              | 6           | 32              | 40 | M6                              | 10 | ✓      | 108,83 €               |
| AF25        | 25              | 8           | 40              | 54 | M8                              | 12 | ✓      | 126,61 €               |
| AF30        | 30              | 8           | 50              | 54 | M8                              | 12 | ✓      | 139,26 €               |

\*Depending on availability - Dimensions in mm

HPC

WEB  
04/2021

www.hpceurope.com

Tél: 0 825 88 5000 Service 0,15 €/min + prix appel

## Our other products



PRF-CHAR-POU

Tool holder for aluminium profile, Moveable tool holder



ACLLPP

Latch for aluminium profile, Spring operated latch



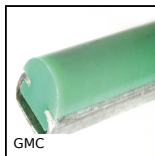
BZY\_SS

Stainless steel cylindrical elastomeric mount, Stainless steel



LRR-53

Spring loaded latch, Spring return latch - steel



GMC

Flat profile - Round guide, Flat profile - round guide



UGAC\_UGET

Connection for threaded actuator rod, Connection for threaded actuat...



PAT123

Pressed stainless steel articulating foot Ø123, Ø 123



TBE16

Economic mini-table with trapezoidal lead screw, 5kg



PGM86-M5

Pull handle, Thermoplastic



SVT20

Screwjack with travelling screw, with



AC

Strike for toggle latch, 12mm



CTZY

Diabolo shaped elastomeric mount, Steel

## Complementary products



SC2

2 part rigid shaft clamp, Clamping jaw