



Roller block for aluminium profiles

Create your own roller track

ACLERP

- Roller block for PRF aluminium profiles
- Materials
 - Black glass fibre reinforced nylon
 - Rollers : POM
- Exists in 2 versions, with and without guide
- Max load : 100N each

Advantages

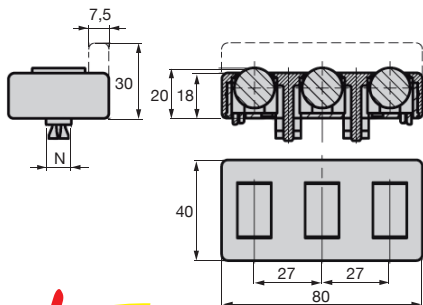
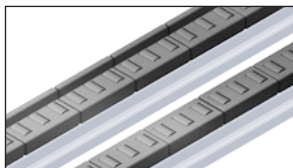
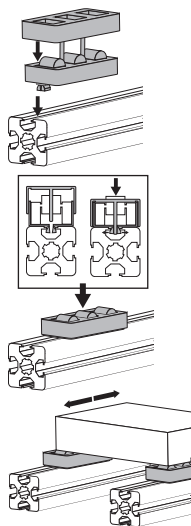
- Click to install



ACL-ERP-SG



ACL-ERP-AG



INCREASED STOCK

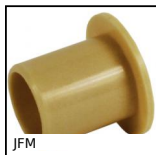
DISCOUNTS

Qty	1+	50+	100+
Disc.	List	-5%	On request

Part number	Version	N	Weight (g)	Stock*	Price each 1 to 49
ACL-ERP-SG	Without guide rail	8-10	43	✓	4,10 €
ACL-ERP-AG	With guide rail	8-10	48	✓	4,64 €

* Depending on availability - Dimensions in mm

Our other products



JFM

Flanged polymer bush, Universal polymer



SLS

Bearing block for leadscrew, Fixed Drylin® bearing block



ACAss

Stainless steel splined shaft, Stainless steel



FB_ECO

Eco. range steel bevel gear, 4:1



PW_PWG3

Worm - precision range, Steel



CLM

Male clevis end, Steel short



DEP

Tools Hygienic Usit® and Hygienic Design®, Socket for mounting Hyg...



ZHBRA

Plastic bevel gear, 1,25:1 2:1 3:1



LSAG

Sleeve for splined ball shaft, Chariot - from 514 N to 15386 N



CHM30

Worm and wheel gear reducer, up to 28 Nm



HLA24

Right angle spiro bevel gearbox, Up to 78Nm



COA-COG

Surface mounting plate, Surface mounting plate for ball joint

Complementary products



PRF4545

Standard aluminium profile, 45 x 45 mm