

# Closing mechanism for aluminium profiles

## ACLBDB

## Double jointed stop

- **Rapid closing mechanism for doors**

- **Material**

Black glass fibre reinforced nylon

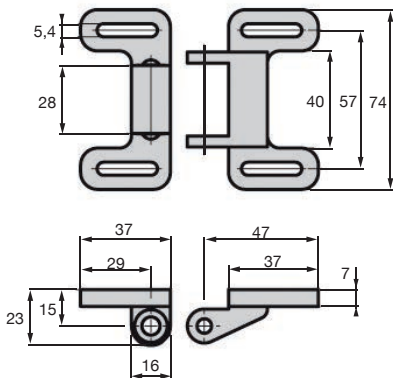
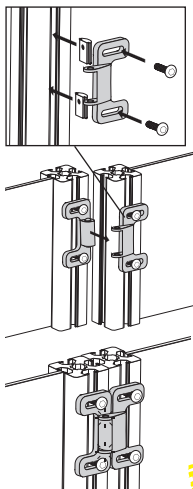
Balls : stainless steel

### Advantages

- Suitable for use with  
PRF aluminium profiles

### Info

- No mounting screws supplied  
(see PRF-ECL-M6 and BHC6)



 **INCREASED STOCK**

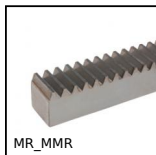
### DISCOUNTS

Qty	1+	50+	100+
Disc.	List -5%	On request	

Part number	Retaining force (N)	Weight (g)	Stock*	Price each 1 to 49
ACL-BDB-25	25	38	✓	5,75 €

\* Depending on availability - Dimensions in mm

## Our other products



MR\_MMR

Metric section rack,  
Steel



STC

Shock Absorber - stop  
collar, Universal  
flange



DB

Steel bevel gear, 2:1



GGB

Female wing knob,  
With blind thread



GE32

Sprung toggle latch  
with connecting link,  
Standard



DFG

Flat suction cup,  
nitrile



RMSA

Adjustable shock-  
absorber, Adjustable



PSG05S

Spur gear - precision  
range, Stainless steel  
303



H0

Crossed helical gear  
crossed axis at 90°



CHAE3030PA

Square decorative  
screwed hinges,



J66

Spur gear coaxial  
gearbox, from 0.90 to



EBM

Steel U bolt, Steel

## Complementary products



PRF4545

Standard aluminium  
profile, 45 x 45 mm



PRF\_ECL

Nut for aluminium  
profile, Steel square  
nut with tab



ACL-APB

Closing system for  
aluminium profile,  
Magnetic door stop