

Door stop for aluminium profile

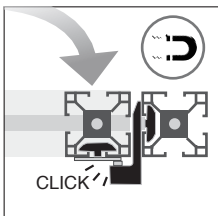
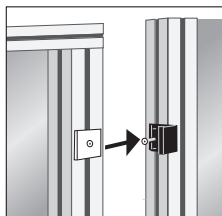
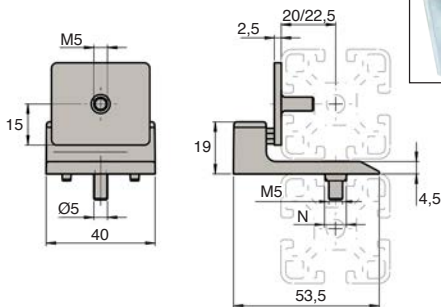
Magnetic closing

ACLAPB

- **Quick door closing system**
- **Materials:**
 - Glass fibre reinforced PA plastic
 - Neodymium magnet
 - Steel counter plate and screws

Advantages

- Discrete stop
- Small size, takes up little space inside the machine



Typical application

DISCOUNTS

Qty	1+	50+	100+
Disc.	Net	-5%	On request

Part N°	N	Holding force (N)	Weight (g)	Price each 1 to 49
ACL-APB-53	8/10	30	53	12,30 €

All dimensions in mm

0 825 88 6000
Service 0,15 € / min
+ prix appel

Fax

cial2@hpceurope.com

HPC

SUPPLEMENT 2019

239

Our other products



HK

Manual locking clamp,
Manual locking clamp
LWL



OP3

Mechanical digital
position indicator, 4
numbers



RBS

Dynamic washer
DIN2093, Steel



BLHB30

Right angled gearbox,
bored shafts, up to
4.47 Nm



DCA

Suction cup, 1.5
bellows, silicon



PO

Pull handle - Multi-
sector, Tapped
recessed insert



H02

Single needle roller
universal joint, Heavy
duty



DZY

Cylindrical stop, Steel



BOX-CS

Hose clamp, Box set
of steel hose clamps



GE

Toggle latches,
Standard



DOMI120

Accessories, Plate



BOX-TOR-DRING

Box set of Nitrile D-
rings NBR90Sh A,
Flange seals

Complementary products



ACLAPA

Magnetic stop for
aluminium profile,
Magnetic stop



ACLBDB

Closing mechanism
for aluminium profile,
Dual ball catch