

# Door stop for aluminium profile

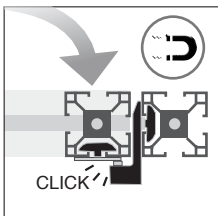
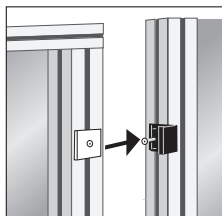
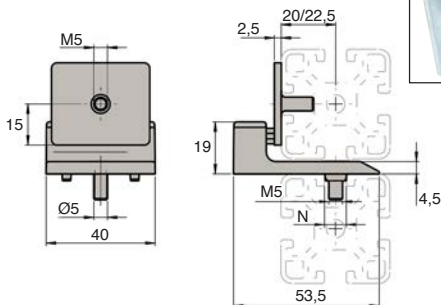
## Magnetic closing

## ACLAPB

- **Quick door closing system**
- **Materials:**
  - Glass fibre reinforced PA plastic
  - Neodymium magnet
  - Steel counter plate and screws

### Advantages

- Discrete stop
- Small size, takes up little space inside the machine



Typical application

### DISCOUNTS

Qty	1+	50+	100+
Disc. Net		-5%	On request

Part N°	N	Holding force (N)	Weight (g)	Price each 1 to 49
ACL-APB-53	8/10	30	53	12,30 €

All dimensions in mm

**0 825 88 6000**  
Service 0,15 € / min  
+ prix appel

Fax

cial2@hpceurope.com

**HPC**

SUPPLEMENT 2019

239

## Our other products



BOXINS300

Box set of self tapping inserts, Boxed set - For hard materials



PW\_PWG15

Worm - precision range, Steel



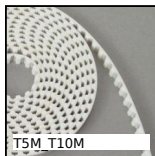
DER80

Stainless steel AC asynchronous motor 0.55 - 0.75kW, 0.55 to 0.75kW



RAM35

Manual bevel gearbox, Bevel



T5M\_T10M

T type timing belt per metre, T10 Steel cored polyurethane



CHINV2

Invisible hinge, Invisible - Opening up to 125°



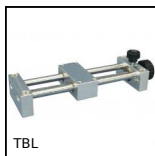
EHD16

Internal epicyclic servo reducers, from 210 to 380 Nm



PRF\_BP

Doorstop for aluminium profile, Swing door stop



TBL

Mini leadscrew table with metric thread,



VELprf

Clip-on base for hook-and-loop strip,



VDSQCB

Sliding lock adjustment system,



SLB

Indexing plunger, stainless steel

## Complementary products



ACLAPA

Magnetic stop for aluminium profile, Magnetic stop



ACLBDB

Closing mechanism for aluminium profile, Dual ball catch