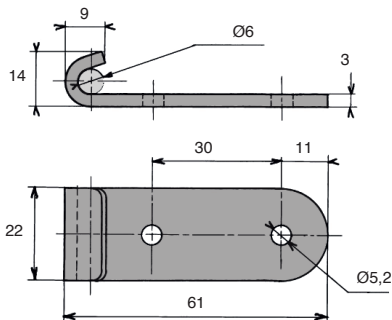


- Closed by latching
- Materials:
White zinc plated steel
18/8 stainless steel, natural finish

Accessory

- GP75-ZB and GP75-SS toggle latches



DISCOUNTS

Qty	1+	51+	101+	250+	400+
Disc.	List	-10%	-15%	-20%	On request

Part N°	Material	Suitable for latch	Weight (g)	Stock*	Price each 1 to 50
Flat					
AC144-ZB	Steel	GP75-ZB	35	-	0,86 €
AC144-SS	Stainless steel	GP75-SS	35	✓	2,74 €

All dimensions in mm

Our other products



ACLRP

Wheel for aluminium profile, Integrated bearing



SLBW

Indexing plunger, weldable, Weldable - Steel



VELM4

Screw-on base for hook-and-loop strip, Polyamide



PRS30

Stainless steel articulated foot Ø30, Ø 30



ASH

Hoist ring for welding, for straight lifts - for welding



DB

Steel bevel gear, 2:1



GPB

Threaded spherical knob, With brass insert



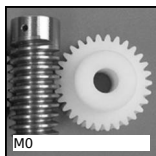
T2,5-BAR

T type tooth bar stock, T2.5



PPC55

Pad eye on mounting plate squarred,



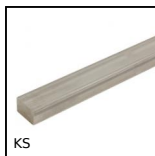
M0

Worm and wheel set, Machined plastic



ADSR

Backlash free coupling Gerwah®,



KS

Keysteel, Stainless steel - Keystock

Complementary products



GP75

Spring loaded toggle latch, Standard (GP75)



AC

Strike for toggle latch, 15mm



AC

Strike for toggle latch, 12,13,18 and 20mm