

Hook for latch

Stock **Sta** **Ste**

ACZB
ACss

15mm wide versions

- Hook fastening
- Material: White zinc steel or stainless steel 303

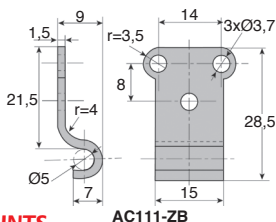
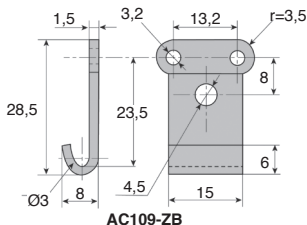
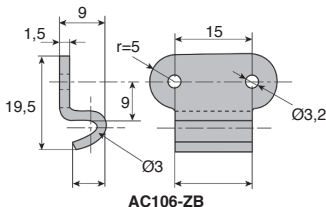
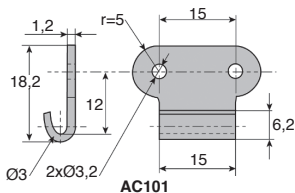
Selection

- Choose your own hook/latch combination by simply verifying the interior width of the ring and selecting a hook with a smaller width

Info.

- Not sold individually, please contact us for details

steel or
stainless steel



DISCOUNTS

Qty	1+	51+	101+	250+	400+	500+
Disc.	List	-10%	-15%	-20%	-25%	On request

Part number	Suitable for latch	Weight (g)	Stock*	Price each 1 to 50
Steel				
AC101-ZB	GE14-ZB	4,7	✓	0,59 €
AC106-ZB	GE14-ZB	5,2	✓	0,95 €
AC109-ZB	GE14-ZB	6,2	✓	0,82 €
AC111-ZB	GE14-ZB	6,8	✓	1,28 €
Stainless steel				
AC101-SS	GE1006-SS	4,7	✓	0,59 €

*Subject to availability - Dimensions in mm

Widths: 12, 13, 18 and 20mm

ACZB
ACSS

- Hook fastening
- Material: White zinc steel or stainless steel 303

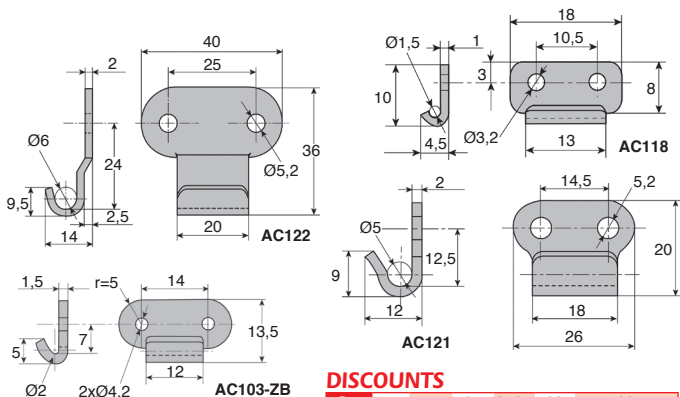
Selection

- Choose your own hook/latch combination by simply verifying the interior width of the ring and selecting a hook with a smaller width

Info.

- Not sold individually, please contact us for details

steel or stainless steel



DISCOUNTS

Qty	1+	51+	101+	250+	400+	500+
Disc.	List	-10%	-15%	-20%	-25%	On request

Part number	Suitable for latch	Weight (g)	Stock*	Price each 1 to 50
Steel				
AC103-ZB	-	3,4	-	0,27 €
AC118-ZB	GE18-ZB	1,5	✓	0,20 €
AC121-ZB	GE5-ZB	9,4	✓	0,44 €
AC122-ZB	GP22-ZB and GP23-ZB	1,9	✓	0,82 €
Stainless steel				
AC118-SS	GE18-SS	1,5	✓	0,37 €
AC121-SS	GE5-SS	9,4	✓	1,18 €
AC122-SS	GP22-SS and GP23-SS	1,9	✓	2,29 €

*Subject to availability - Dimensions in mm

Our other products



CHAupa
Front hinge, 270°



RDCss
Rigging screw with 2
jaws stainless steel,
Stainless steel



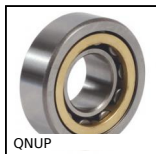
PFM
Fixed levelling foot,
Flanged plate



LRM2
Cylindrical bronze nut,
Bronze - 2 threads



RHTplss
High Temperature
Castor, up to 200kg



QNUP
Single row cylindrical
roller bearing, 1 fixed
inner flange and 1 fr...



DOMI120
Domino 120
adjustable slide, Slide
DOMILINE 120 with
counter and han...



PW_PWG3
Worm - precision
range, Stainless steel



MO
Worm and wheel set,
Hardened steel



NSB
Standard linear
bearing housing,



S2B
Short linear bearing
housing, Closed - Slim



CFS
Miniature cam
follower, Miniature

Complementary products



GE14
Toggle latches, With
padlock-holder