



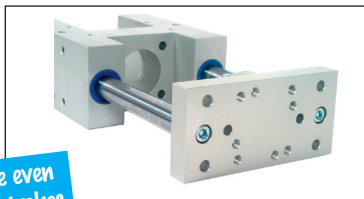
H Type guide units

For $\varnothing 32$ actuators
ISO 15552 (VDMA 24562)

UGH50

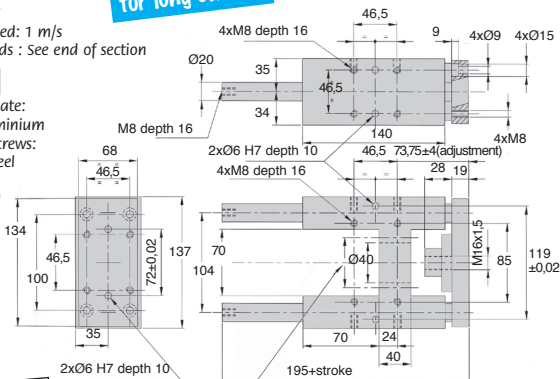
- Guide system for standard pneumatic actuators
- Fitted with 4 smooth bronze bearings
- Slides protected by wiper joints
- Actuator coupling supplied
- Fixing holes conform to CNOMO standards
- Supplied with 4 fixing screws for actuator
- Maintenance free
- Working temperature: +5°C to +80°C
- Maximum speed: 1 m/s
- Maximum loads : See end of section

Accurate even for long strokes



Material

- Body + face plate: anodised aluminium
- Couplings + screws: Zinc plated steel
- Guide shafts: Chromed steel



QUICK DELIVERY

Attach cylinder using 4 off M6 screws on $\varnothing 46.5$

DISCOUNTS

Qty	1+	2+
Disc.	List	On request

Part number	Stroke (mm)	Actuator \varnothing (mm)	Guide rod \varnothing (mm)	Weight (kg)	Price each
UGH50-25	25	50	20	3,82	317,99 €
UGH50-50	50	50	20	3,94	320,23 €
UGH50-100	100	50	20	4,18	324,74 €
UGH50-160	160	50	20	4,47	330,17 €
UGH50-200	200	50	20	4,66	333,76 €
UGH50-250	250	50	20	4,90	338,28 €
UGH50-320	320	50	20	5,24	344,58 €
UGH50-400	400	50	20	5,62	351,78 €
UGH50-500	500	50	20	6,10	360,83 €
UGH50-600	600	50	20	6,58	369,81 €

Dimensions in mm